



Department of Animal Production and Health



Annual Report 2012



ANNUAL REPORT 2012

**Department of Animal Production and Health
Peradeniya
Sri Lanka
Tel : 94 - 081 - 2388337 / 2388462
Fax : 94 - 081 - 2388619
Web Site: www.daph.gov.lk**

ANNUAL REPORT – 2012

CONTENT

	Page No.
PREFACE -----	IV
VISION, MISSION -----	V
1. Introduction -----	1
2. Livestock Sector Review -----	4
2.1. Dairy Sector -----	4
2.2. Poultry Sector -----	5
2.3. Swine Sector -----	6
2.4. Goat Sector -----	7
3. Animal Health Division -----	8
3.1. Introduction -----	8
3.2. Animal Disease Situation -----	8
3.3. Special Livestock Development Projects -----	10
3.4. Veterinary Investigation Services -----	12
3.5. Financial Progress -----	12
4. Animal Breeding Division -----	13
4.1. Introduction -----	13
4.2. Special Livestock Development Projects -----	13
4.3. Financial Progress -----	17
5. Veterinary Research Institute -----	18
5.1. Introduction -----	18
5.2. Products and Services -----	18
5.3. Clients Registered at VRI -----	20
5.4. Research Projects -----	20
5.5. Research Publications -----	23
5.6. Financial Progress -----	23
6. Human Resource Development Division -----	24
6.1. Introduction -----	24
6.2. Training and Transfer of Technology -----	24
6.3. Educational and Career Development -----	25
6.4. Examinations -----	26
6.5. Information and Publicity -----	26
6.6. Entrepreneurship Development and Self- Employment support services -----	27
6.7. The Department Library -----	27
6.8. The Department Hot Line -----	28
6.9. Financial Progress -----	28

7.	Livestock Planning and Economics Division -----	29
7.1	Introduction -----	29
7.2	Identification and Designing of Livestock Development Programs and projects -----	29
7.3.	Monitoring, Evaluation and Economic Analysis of Livestock Development Programs and Projects -----	30
7.4.	Review of Livestock Industries and Management of Livestock Database at National Level -----	30
7.5.	Coordination of Development Programs with Provincial DAPH and special development projects -----	31
7.6.	Publications -----	32
7.7.	Other Activities-----	32
7.8.	Financial Progress -----	33
8.	Veterinary Regulatory Affairs Division -----	34
8.1.	Introduction -----	34
8.2.	Animal Quarantine and Inspection Service -----	34
8.3.	Regulatory Activities - livestock Industry -----	36
8.4.	Veterinary Drug Control Authority -----	37
8.5.	Implementation of Animal Feed Act -----	38
8.6.	Animal Identification and Traceability Programme -----	40
8.7.	Financial Progress -----	40
9.	Administration Division -----	41
9.1.	Introduction -----	41
9.2.	Present Cadre Positions of the Department -----	41
9.3.	Approval from the Management Service-----	41
9.4.	Appointments -----	41
9.5.	Promotions -----	41
9.6.	Transfers -----	42
9.7.	Retirements -----	42
9.8.	Resignations -----	42
9.9.	Vacation of Post -----	42
9.10.	Releases from the DAPH on permanent basis -----	42
9.11.	Loans Approved -----	42
9.12.	Insurance Payments -----	42
9.13.	Financial Progress -----	42
10.	Finance Division -----	43
10.1.	Introduction -----	43
10.2.	Allocations -----	43
10.3.	Public Servants' Advance Account "B" -----	43
10.4.	General Deposit Account -----	44
10.5.	Departmental Income -----	44
11.	Foreign Funded Projects -----	45
11.1.	Project on small Scale Farming Improvement through Genetic and Feeding Management Improvement in Sri Lanka -----	45

PREFACE

Livestock sector, having a remarkable growth over the recent years and has contributed positively for this economic growth of Sri Lanka. Per capita availability of milk and meat has been increased at present as a result of that. Achieving self-sufficiency in livestock produce is a major challenge ahead for the livestock sector in Sri Lanka.

The main technical arm of the Ministry of Livestock and Rural Community development, the Department of Animal Production and Health (DAPH) is responsible for upgrading and maintaining a healthy animal population in the country, providing technical support, inputs and quality assurance of animal products, animal feed and veterinary pharmaceuticals. As such department facilitates production and productivity improvements in the sector and thereby to achieve sectoral goals identified in the Livestock Master Plan formulated by the Ministry of Livestock and Rural Community Development particularly in the dairy sector while supporting poultry, goat and swine sub sectors.

Technical innovations are much needed to achieve expected growth standards in the dairy sector. It is expected to increase current average daily milk production per cow per day from 2 litres to 6 litres aiming self-sufficiency in milk by 2016. In contrast, the poultry sector in Sri Lanka has shown a phenomenal growth over the past three decades or so and, is nearly self-sufficient in chicken meat and eggs at current purchasing power levels. However, chicken meat and eggs are yet to be available at competitive prices for further expansion of this industry and to compete in the global market. The growth in Swine and Goat sectors are more or less static and needs more attention.

This Annual Report highlights status of livestock sub-sectors and progress of all programs/projects implemented and activities carried out by the department during the year 2012. Most of livestock sector support services/programs are jointly implemented by the National DAPH and Provincial Departments of Animal Production and Health (PDAPH). Therefore province-wise performance and the progress have been presented in this report wherever necessary.

I am thankful to all Directors and their staff in the department for extending their fullest cooperation for successful accomplishment of programs planned for the year 2012. Special word of appreciation goes to officers in respective divisions/units contributed in providing their annual progress reports and to the staff of the Livestock Planning and Economics Division for taking efforts in compiling and publishing this document within the stipulated time.

Dr. W.K. de Silva
Director General
31 March 2013

DEPARTMENT OF ANIMAL PRODUCTION AND HEALTH

VISION

Be the premier organization leading the livestock sector towards socio - economic development of Sri Lanka

Mission

Provide technical guidance and support to achieve sustainable development in the livestock sector by maintaining a healthy animal population and enhanced productivity ensuring food safety and contributing to food security.

1. INTRODUCTION

The Department of Animal Production and Health (DAPH) was established under the Ministry of Rural Industrial Development in September 1978. The department was created by the then Government that came into power in 1977 realizing the importance of the livestock sector in socio economic development in Sri Lanka. Prior to this, the DAPH functioned as a division under the Department of Agriculture.

Since 1989 the DAPH operated under several Ministries. A separate Ministry for the livestock sector, namely Ministry of Livestock Development was created in 2006, and subsequently from 2009, it functions under the Ministry of Livestock and Rural Community Development.

With the establishment of Provincial Councils in 1988 most of DAPH's field level functions were devolved to nine Provincial Departments of Animal Production and Health (PDAPH) headed by Provincial Directors.

The DAPH provides technical leadership, expertise and back-up services to Provincial Departments of Animal Production and Health (PDAPH). The department also implements a range of statutes pertaining to the livestock sector under the provisions of Animals Act, Animal Diseases Act and Animal Feeds Act. A total of 297 Divisional Veterinary Offices scattered throughout the country handle delivery services, managed by veterinarians which are functioned under PDAPH and are the main

functional units of the DAPH. In line with the policy decision taken by the government to expand veterinary network to strengthen service delivery system at grassroot level, divisional veterinary offices are being established at every Divisional Secretariat level at present. Similarly a policy initiative was taken in 2006 to expand veterinary investigation network by establishing a Veterinary Investigation Centre (VIC) at each District level. 18 VIC's have been established at District level by end of 2012.

Objectives of the DAPH

1. To assure an efficient preventive and curative animal health service.
2. To promote optimal utilization of animal genetic resources.
3. To enhance utilization of quality animal feeds and feed resources.
4. To promote growth and development of the animal feed industry.
5. To conduct research and development towards a sustainable livestock industry.
6. To develop technically competent human resources.
7. To ensure efficient and effective information dissemination and technology transfer.
8. To formulate, monitor and evaluate livestock development projects and programs.
9. To assure safety of products of animal origin.

10. To promote and facilitate good animal husbandry practices.
11. To ensure welfare and wellbeing of animals.
12. To ensure efficient management of departmental activities.

The DAPH has eight (08) functional divisions; six (06) technical divisions and two (02) support service divisions. Sub-units of DAPH are mostly located peripherally, functioned under divisions of the DAPH.

Animal Health Division

Main Responsibility: Surveillance, prevention and control of scheduled and emerging animal diseases of economic importance by implementing suitable control strategies and eradication programs.

Sub Units:

Veterinary Investigation Centres (VIC's) located at:

Ampara, Anuradhapura, Badulla, Chilaw, Dambulla, Jaffna, Hambantota, Homagama, Kegalle, Kundasale, Matara, Nuwara-Eliya, Pannala, Polonnaruwa, Ratnapura, Trincomalee and Galle.

Animal Breeding Division

Main Responsibility: Development of livestock genetic and feed resources.

Sub Units:

Central Artificial Insemination Station - Kundasale
 Artificial Insemination Centre - Polonnaruwa
 Goat Breeding Stations -Imbulandanda and Thelahera

Human Resource Development Division

Main Responsibility: Development of human resources, skills development and dissemination of information required for further growth of the livestock sector.

Sub Units:

Institute of Continuing Education for Animal Production and Health - Gannoruwa
 Sri Lanka School of Animal Husbandry - Kundasale
 Animal Husbandry Training Centre - Seeppukulama
 Livestock Knowledge Centre, Getambe
 Livestock Technology Park, Gannoruwa

Veterinary Research Institute

Main Responsibility: Plan and execute research programs and to provide technical products and specialized services to fulfill the needs of livestock industry.

Sub units:

Central Poultry Research Station - Karandagolla
 Animal Virus Laboratory - Polgolla

Livestock Planning and Economics Division

Main Responsibility: Formulation of livestock development programs/projects and monitoring and evaluation of livestock development programs/projects implemented by national/provincial DAPH and appropriate agencies.

Veterinary Regulatory Affairs Division

Main Responsibility: Implementation of statutes pertaining to the livestock sector.

Sub units:

Animal Quarantine Stations
(Colombo and Katunayake)

Administration Division

Main Responsibility: Proper management of resources and ensuring smooth functioning of the Department.

Finance Division

Main Responsibility: Efficient management of finances allocated to the Department.

Members of the Directorate

Members of the Directorate in 2012 were as follows:

Dr. W. K. de Silva, Director General, Dr. A.D.N. Chandrasiri, Additional Director General - Animal Health and Research, Dr. D.R.T.G. Rathnayake, Additional Director General - Livestock Development (covering - up) and Dr.D.R.T.G. Rathnayake, Director - Animal Breeding, Dr.(Ms.) P.Wijewantha, Director - Livestock Planning and Economics, (up to September 2012), Dr.B.D.R. Wijewardhena, Director - Veterinary Research, (up to March 2012), Dr. A. Sivasothy, Director - Animal Health, Mr. R.M.L. Rathnayake, Director - Human Resource Development (covering up from January 2012),

Ms.C.H. Kurukulaarachchi, Director - Administration (from March 2012) and Mr. R.M.R.B. Rathnayaka, Director - Finance.

Veterinary Regulatory Affairs division was managed by Dr. (Ms.) T.A.C.Tiskumara, Animal Feed Registrar as the head. Director positions of Veterinary Research Institute and Livestock Planning and Economics division have been vacant from March 2012 and September 2012 respectively. Dr.K.D.Ariyapala, Deputy Director - Livestock Planning and Economics and Dr.S.S.P.Silva, Deputy Director - Veterinary Research have been managing VRI and LPE division respectively as heads from October 2012 and December 2012 respectively.

The Organization structure of the DAPH is shown in *Annex I*.

2. LIVESTOCK SECTOR REVIEW

The total contribution of the livestock sector to the National GDP in 2012 was around 01 percent.

2.1. Dairy Sector

The Dairy Sector has been identified as the priority sector for development among other livestock sub sectors in the country. Cattle and Buffalo population in the country in 2012 has been recorded as 1.23 million and 0.41 million respectively. (Source: Dept. of Census and statistics) Domestic milk production recorded as 358.9 million liters. (Source: Livestock Data, DAPH) It is an increase of 25% compared to the previous year.

Number of milk collecting centers in the year totaled up to 2,962. Milk collection in the country has shown a significant progress in the year 2012. The amount of milk collected by 13 main milk processors in the formal milk market in the year amounted to 183.60 million liters which is an increase of 27.5% over the 2011 volume of 143.95 million liters. From this almost 58.9% was collected by two (02) leading milk collecting organizations. Around 30.7% and 20.5% of milk collected in the country came from the Central Province and the North-Western Province respectively. Milk collection has been increased in all

provinces compared to the year 2011. The total production increase is 27.8% in year 2012.

Average farm-gate price per liter of milk in 2012 was around Rs.50.00. Average cost of production of one liter of milk in up country and mid country in 2012 was recorded as Rs.28.89 under intensive management systems. (Source: LPE Division, DAPH)

Out of milk and milk products available for consumption (domestic production and imports) in the year, 63% have been imported into the country, mostly in the form of powdered milk with more than 1.5% fat.

Import of dairy products amounted to 83,817.74 MT in 2012, a decrease of 4.08% over the corresponding figure of 87,381.62 MT in 2011 (Source: Department of Customs). Out of total dairy products imported into the country in 2012, full cream milk powder amounted to 70,531.21 MT which was a decrease of 6.04% when compared with 75,067.51 MT in the year 2011. Similarly, import of non-fat milk powder at 8,861.85 MT in 2012 showed an increase of 7.6% from the 2011 import volume of 8,237.05 MT. Total import bill on dairy products reached Rs.39 billion in 2012.

The average Cost, Insurance and Freight (CIF) prices (LKR) of imported dairy products in 2011 and 2012 were as follows:

	2011 (Rs./MT)	2012 (Rs./MT)
Whole milk powder	436,435.15	472,197.2
Skim milk powder	414,500.30	428,124.0

Source: Department of Customs

International market prices of whole milk powder showed an increase

towards end of the year. Comparison of prices in 2011 and 2012 is as follows:

International market prices of dairy products (2011 - 2012)

Product	Price USD/MT			
	2011 (Avg.)		2012 (Avg.)	
	Jan	Dec	Jan	Dec
Whole milk powder	3,225.00	3,794.00	3,600.00	3,913.00
Skim milk powder	3,250.00	3,069.00	2,950.00	3,500.00

Total availability of milk and milk products in the country had been 966.72 million liters of Liquid Milk Equivalent - LME (domestic production and imports) and the per-capita availability was recorded as 131 ml/day in year 2012.

2.2. Poultry Sector

2.2.1. Broiler Industry

Procurement of broiler grandparents and parents recorded as 17,740 and 1,064,602 respectively during the year. Out of which 627,039 were locally purchased parents. Procurement of broiler grandparents increased from 16,290 in 2011 to 17,740 in 2012. A total of 109.83 million broiler chicks were produced during the year, and increase of 16.1% from the corresponding number of 96.52 million in 2011.

Only 30 broiler breeder farms were in operation during the year and main broiler breeder strains chosen by them were Cobb (37%), Hubbard (35%) and Indian River (28%). Broiler parents were imported from France (29%), UK (12%) and the USA (5%). The rest purchased from local Grand Parent (GP) farms.

Average price of a day-old broiler chick had been Rs.76.50 in 2012 ranging from Rs.90.00 in January to Rs.60.00 in August. Average farm-gate price of live broiler recorded as Rs.200.28/Kg with the lowest price of Rs.186.25/Kg (August) to the maximum price of Rs.215.00/kg (December). The ceiling price for broiler was amended and it

was changed from Rs.350.00/Kg to Rs. 380.00/Kg in October 2012.

2.2.2 Layer Industry

A sharp decreased (35.4%) of import of layer parents was seen in 2012, from 112,201 imports in the previous year to 72,448 in the year 2012. Pullet chick production was recorded 7.79 Million which was 7.47 Million in year 2011. Average pullet chick price was recorded as Rs.86.92 during the year 2012. Thirteen (13) layer breeder farms were in operation during the year and Bovans White (25%), Hyline (21%), Shaver 579 (17%), Bovans Brown, (14 %), Shaver 288 (8%), ISA de Kalb (7%), Novogen (7%), were the main layer breeder strains imported by these farms. Majority of these imports were from France (73%) and UK (27%).

Farm gate price of table eggs (brown) changed from Rs.7.45 (February) to Rs.12.88 (December). Average farm-gate price for the whole year recorded as Rs.9.10 a decrease of 7.5% from the previous year. Average Retail price of brown and white eggs recorded as Rs.11.75 and Rs.11.10 respectively. Average wholesale price of egg recorded as Rs.10.21 during the year 2012. Total egg production of the country recorded as 2,278.72 million eggs which included 5% of village chicken eggs.

2.2.3. Poultry Feed Industry

Nineteen (26) large, medium and small-scale registered poultry feed manufacturers were in operation during the year and the total feed production in the country estimated as 684,920 MT which is 15.3 % increase compared to previous year (594,253 MT). (Source: Veterinary Regulatory Affairs Division - DAPH)

2.2.4. Poultry Processing Sector

Three (03) large scale and 12 medium scale poultry processing establishments and seven (07) further processing establishments were in operation during the year 2012. Estimated chicken meat production in 2012 at 137,390 MT recorded an increase of 17.7 % over the 2011 volume of 116,760 MT. Total value added meat products manufactured by further processing establishments amounted to 9,945.0 MT in the year, an increase of 4.6% over the 2011 volume of 9,508.9 MT. Out of this production in 2012, a major portion (88.5%) consist of chicken meat based value added products.

2.2.5. Exports

Export of chicken meat and chicken meat products recorded as 459.23 MT in the year; and decrease of 958.13 MT from the previous year's volume of 1,417.36 MT. Bulk of these chicken meat and chicken meat products were exported to Maldives, UAE, Azerbaijan, Armenia, Iraq, Angola, Oman, Kuwait, Doha Qatar, Ghana and India. Export of table eggs at 2.15 million recorded a further increase by 50.3% from the corresponding figure of 1.41 million in 2011. A total of 107,944 day-old commercial chicks were exported during year 2012. Instead of importing Hatching eggs, exported hatching eggs to countries like Myanmar and Oman,

and total of 397,590 of them exported during year 2012.

2.2.6. Imports

Import of chicken meat and meat products recorded 844.51 MT, a remarkable decrease of 52% from the corresponding year 2011 figure of 1,952.13MT. However, these quantities represented just 1% of the estimated domestic chicken meat production for the year. Moreover, bulk of these imports (69.7%) consisted of chicken meat products such as MDM, which is used for the preparation of value added products. Eggs in the form of liquid and powder form imported to the country 74.8 MT and 9.82 MT respectively during the year 2012.

(Key data pertaining to the Industry in 2012 are given in Annex II)

2.3. Swine Sector

Swine sector is one of the main livestock sub- sectors which place next to the poultry and dairy sectors in Sri Lanka. More than 6,000 farmers are engaged in swine farming as their main income generating activity.

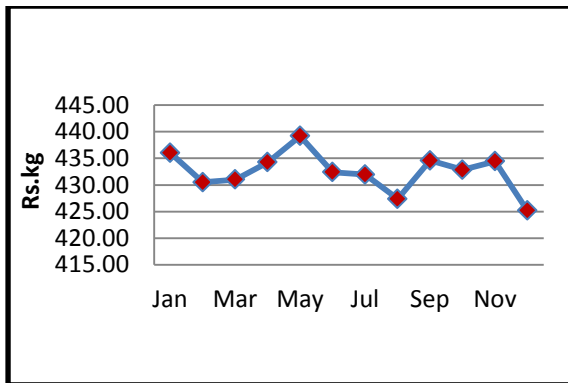
Pig farming is mainly concentrated into four (04) districts in Sri Lanka. These districts include Colombo, Gampaha, Kalutara and Puttlam. Apart from these traditionally identified areas, pig farming is also seen in other parts of the country as well in the Central part and the North Central part.

Total pig population in Sri Lanka has been recorded as 89,250 in 2012 (Source: Dept. of census and statistics 2012). Swine farms could be categorized as small-scale (60%) medium-scale (25%) and large-scale (15%).

Estimated pork production in the country had been 7,030 MT during the year 2012. A total of 0.91 MT of pork

have been imported into the country in 2012 with the value of Rs.0.81million.

Monthly average retail price of pork during the year ranged from Rs.490.00 per Kg in February to Rs.680.00 per Kg in November (Source: HARTI).



Source: HARTI

Figure 2.1: Monthly Average Retail Price of Pork- 2012

Upgrading of swine population through artificial breeding is carried out by the department using chilled semen produced at Kotadeniyawa Animal Husbandry Training Center. This program is successfully being implemented by the Provincial Department of Animal Production and Health (PDAPH), Western Province with the technical support of the DAPH.

Vaccination against Japanese Encephalitis (JE) and FMD was done in relevant provinces to keep swine population healthy and to prevent transmission of zoonotic diseases (i.e. JE) to humans.

2.4. Goat sector

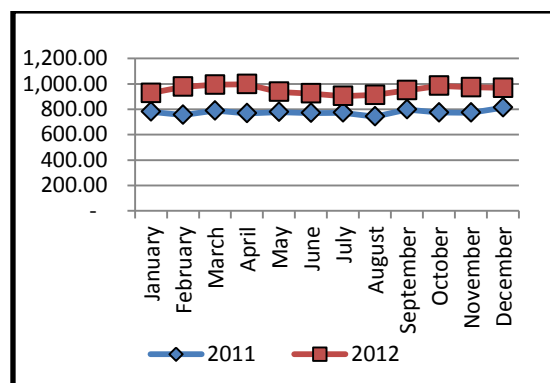
Goat farming is concentrated mainly in dry and intermediate zones of the country where about 75% of goat population is distributed. Goat and sheep population in 2012 recorded as

393,000 and number of goat farms in the country totaled 62,928. (Source: DAPH)

Two goat breeding farms located at Thelahera and Imbulandanda, operated under the DAPH, contributed in upgrading of goats by distributing breedable animals.

Artificial inseminations (AI) are being done using deep frozen semen produced at Central Artificial Insemination Centre, Kundasale and imported deep frozen semen. Artificial insemination services for goats performed mainly by six provinces namely Northern, Western, North Central, Southern, Eastern and Sabaragamuwa.

Average retail price of mutton in the country reported as Rs.954.30/Kg in the year 2012 ranging from Rs.912.85/Kg in August to Rs.984.44/Kg in October (Source: HARTI). A total of 338.36 MT of mutton had been imported into the country during the year 2012 (Source: Department of Customs). Average retail prices of mutton havenot shown significant fluctuations throughout the year. (Figure2.3)



Source: HARTI

Figure 2.2: Retail price changes of Mutton 2011-2012

3. ANIMAL HEALTH DIVISION

3.1. Introduction

The Animal Health Division is responsible for ensuring required animal health status for development of the livestock industry in the country. The division also has peripheral units namely Veterinary Investigation Centres(VIC's) are established at district level.

Functions of the Division

- Formulation and implementation of special programs against identified exotic, emerging and re-emerging animal diseases.
- Strengthening GIS based disease surveillance and animal disease database.
- Design, support, monitor and evaluate mass-scale preventive vaccination programme.
- Provision of laboratory back-up service for disease diagnosis.
- Establishment and maintenance of district based Veterinary Investigation network.
- Compilation and dissemination of animal health related information locally and internationally.
- Functioning as the focal point to World Animal Health Organization.
- Initiation of Veterinary Public Health programs with special emphasis on zoonotic disease control and safety of food of animal origin.
- Maintenance of Vaccine Bank.

3.2. Animal Disease Situation

3.2.1. Bovine Diseases

a. Foot and Mouth Disease (FMD)

FMD was confined mostly to the Uva, North Central and Eastern Provinces in the country during the year 2012. There had been four (04) outbreaks of FMD during the year, where Siyambalanduwa in Uva province, Welikanda in the North Central Province, Sammanthurai and Maha-Oya in the Eastern Province (*Table 3.1*) and a total of 99 cases have been recorded with two (02) deaths. The total number of cases recorded in the previous year (2011) was 395 with no deaths.

b. Haemorrhagic Septicaemia

Clinical cases of Haemorrhagic Septicaemia (HS) have not been detected in the country during the year 2012. As such, the country remains free of clinical cases of HS for eight (08) consecutive years since the last outbreak was found at Kalutara district in October 2004.

A special programme designed to detect any animal in carrier stage was initiated in 2011 and continued in 2012. It revealed absence of *Pasteurella multocida* organism in the tonsillar tissues of slaughter cattle collected at various parts of the country.

Table 3.1: Spatial and Temporal Distribution of FMD in 2012

District	Veterinary Range	No. of		Month(s) of Occurrence
		Cases	Deaths	
Monaragala	Siyambalanduwa	78	2	March
Ampara	Maha-Oya	4	0	April
Ampara	Sammanthurai	6	0	June
Polonnaruwa	Welikanda	11	0	October
All Island		99	2	

c. Black Quarter

Thirty (30) cases of Black Quarter (BQ) and thirty deaths were recorded in the country during the period under review. The cases were confined mainly to Northern Province (Vavuniya), Eastern

Province (Kiran), North Central Province (Horowpothana), and North Western Province (Anamaduwa). The distribution of cases at different Veterinary ranges is shown in Table 3.2.

Table 3.2: Spatial and Temporal Distribution of BQ in 2012

District	Veterinary Range	No. of		Month(s) of Occurrence
		Cases	Deaths	
Anuradhapura	Horowpothana	4	4	January
Batticaloa	Kiran	8	8	April
Puttalam	Anamaduwa	3	3	June
Vavuniya	Vavuniya	15	15	June
All Island		30	30	

d. Brucellosis

Brucella abortus is the common cause of infectious abortions in cattle in Sri Lanka. Brucellosis cases were encountered in Kegalle, Mannar, Monaragala, Polonnaruwa, Trincomalee, Kandy, Mullaithivu, Gampaha, Anuradhapura, Badulla, Kurunegala and Kalutara districts. Vaccination played a major role in controlling the disease in the country. Vaccination against Brucellosis with Locally produced S19 had been carried out in identified locations through Veterinary Investigation centers. Total of 6,129 vaccinations had been carried out in Anuradhapura, Puttalam, Nuwara-Eliya, Polonnaruwa, Trincomalee during the year 2012.

e. Bovine Tuberculosis

Bovine Tuberculosis has been revealed a significant disease which is transmissible to human eventually becoming a clinical disease. Therefore disease surveillance programme had been implemented through District Veterinary Investigation Officers to screen the cattle herds in the country. Under this program NLDB farms and some private farms were screened. The Progress of the program is indicated in the Table 3.3.

Table 3.3: Progress of disease surveillance programme

Name of VICC	No. of Animals tested
Polonnaruwa	1,140
Chilaw	212
Dambulla	175
Kegalle	140
Matara	0
Wariyapola	310
Homagama	200
Anuradhapura	220
Hambantota	170
Ratnapura	200
Kundasale	120
Welisara	420
Nuwara Eliya	398
Total	3,705

3.2.2. Poultry Diseases

a. Newcastle Disease

Total of 7,167,600 doses of Newcastle disease (ND) vaccine was produced by the Veterinary Research Institution (VRI) and distributed mainly to vaccinate the backyard poultry population during the period under review.

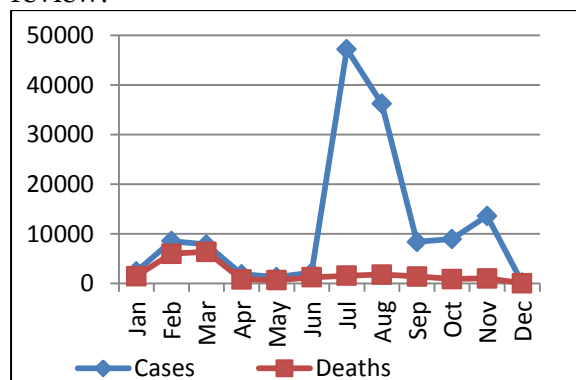


Figure 3.1: Monthly Occurrence of ND in 2012

Cases of Newcastle disease were detected throughout the year in 2012. In total 138,356 cases were recorded with 23,012 deaths. Though the cases were

observed in all the months, an epidemic was noticed in the months of June and July. Monthly distribution of reported cases of ND in 2012 has been shown in Figure 3.1.

b. Infectious Bursal Disease

Infectious bursal disease (IBD) remained as the single disease with the highest number of cases recorded in the country. In overall 242,031 cases were reported and 11,265 deaths recorded during the year 2012. Monthly distribution of reported cases of IBD in 2012 has been shown below. (Figure 3.2)

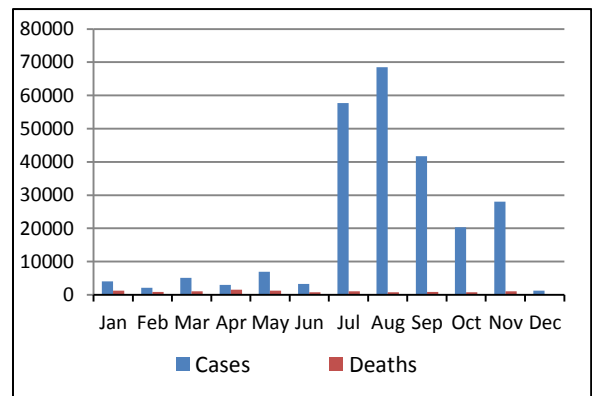


Figure 3.2: Monthly occurrence of IBD - 2012

3.3. Special Livestock Development

Projects implemented in 2012

3.3.1. Control of Contagious Diseases

Project

Immunization programs have been carried out against economically important major livestock diseases such as Foot and mouth disease (FMD), Haemorrhagic Septicaemia (HS) and Black Quarter (BQ) in ear marked locations in the country. BQ vaccine was produced locally in adequate amounts to meet the demand for preventive as well as control of outbreaks. Oil adjuvant vaccine and the Alum precipitated vaccine were produced to control any outbreak of HS that could happen unpredictably. All the vaccines were maintained at the Vaccine Bank

and supplied to provinces. Total of 848,520 doses of HS vaccine, 334,980 doses of FMD vaccine and 244,134 doses

of BQ vaccine have been supplied during the period under review as per shown in *Table 3.4*.

Table 3.4: Issue of Vaccines to the Field in 2012

Province	Type of Vaccine in doses		
	HS	FMD	BQ
NWP	204,740	40,000	77,187
EP	215,180	74,560	53,823
NCP	440	123,060	52,173
NP	201,480	35,000	49,500
SP	73,220	0	5,016
UP	71,980	2,000	5,511
WP	53,600	41,000	0
CP	16,670	19,360	924
SP	11,210	0	0
Total	848,520	334,980	244,134

The vaccination performance at provincial level is shown below (*Table 3.5*).

Table 3.5: Province-wise Vaccination Targets and Achievements in 2012

	HS		FMD		BQ	
	Target	Progress	Target	Progress	Target	Progress
NWP	150,000	163,995	120,000	51,850	80,000	59,162
EP	180,000	150,564	120,000	80,131	30,000	28,246
NCP	~	645	150,000	126,584	40,000	43,264
NP	150,000	153,461	100,000	63,756	80,000	32,277
SP	70,000	69,737	20,000	1,687	10,000	7,196
UP	80,000	68,319	60,000	1,927	5,000	5,377
WP	40,000	31,373	80,000	72,124	~	~
CP	20,000	12,300	30,000	10,536	5,000	~
SP	10,000	8,560	20,000	1,104	~	~
Total	700,000	658,954	700,000	409,699	250,000	175,522

3.3.2. Livestock Health Improvement Project

A total of 2,483 dairy farms have been visited by the VIO's during the year 2012. Subsequently 9,571 milking cows have been subjected to California Mastitis Test (CMT) for early detection of sub clinical mastitis. Moreover 1,971 liters of teat dip solution and 181 liters of CMT reagents were prepared at VICC and were distributed among these farmers and among relevant Veterinary Surgeons in order to improve the hygienic practices in these farms.

a. Avian Influenza Surveillance Programme

The national surveillance programme against Avian Influenza as a mean of establishing early warning system which was initiated in 2007 continued in year 2012 too. Field level implementation was carried out mainly by the Veterinary Investigation Officers. The sero-surveillance programme for the entire country was prepared, coordinated and monitored for its efficiency and effectiveness. A total of 12,938 serum samples were collected during the year under review.

In addition to the sero-surveillance programme, the risk-focused targeted surveillance programs were also carried out during the year. Total of 3,839 pooled cloacal swabs/ fresh droppings were collected from Wild/ migratory birds and Back-yard poultry in the vicinity of 'Hot spots' and subjected to virus isolation and found to be negative for avian influenza virus.

b. Salmonella Control Programme

There were 43 breeder farms registered under the Department of Animal Production and Health for the year 2012. Out of these 43 farms, 30 farms as broiler breeder farms, seven (07) farms as layer breeder farms and four (04) farms as both layer and broiler breeder farms. There were three (03) farms functioning as grandparent farms. All these farms should be in salmonella free status. Therefore these farms were regularly monitored by the Department through the Veterinary Investigation Centres and Veterinary Research Institute.

Certain breeder farms found to be having positive reactors for whole blood agglutination test during verification tests. *Salmonella enteritidis* was isolated from two (02) hatcheries.

Vaccination against salmonellosis was allowed by the Department for the period of two years commencing from

2012. There were 12 breeder farms requested for user permit for importation. But only 10 permits were issued. In total 1,116,000 doses of SG9R vaccine was imported during 2012. A Department circular on Salmonella control programme was also prepared and issued to the Veterinary Surgeons about current Salmonella control programme.

3.4. Veterinary Investigation Services

A total of 17 Veterinary Investigation Centres were in operation during the year 2012. The Veterinary Investigation Centre at Vavuniya which was initiated by the Provincial DAPH has been brought under the national DAPH during the year 2012. Furthermore a Poultry disease Investigation Centre was in operation at Wariyapola in the North-Western Province which carries the highest poultry population in the country. Actions were also taken to establish a Veterinary Investigation Centre at Galle district in the Southern Province. Activities performed by the VIC's in 2012 are given in *Annex III*.

3.5. Financial Progress

The capital and recurrent financial allocation and expenditure of the division for the year 2012 are as follows:

	Allocations (Rs. Mn)	Expenditure (Rs. Mn)	Achievement (%)
Capital	35.30	25.02	71%
Recurrent	10.23	10.23	100%

4. ANIMAL BREEDING DIVISION

4.1. Introduction

The Animal Breeding Division of the DAPH is responsible for national level Livestock improvement through appropriate breeding techniques.

Genetic materials are produced at Kundasale and Polonnaruwa Artificial Insemination Stations to breed cattle, buffalo and goats artificially. Both stations are equipped to produce Deep Frozen (DF) semen.

Two (02) Goat Breeding Farms located at Thelahera and Imbulandanda were maintained Jamnapari nucleus herds and provide genetic materials for natural breeding of goats.

Main Functions of the Division

- Conservation and sustainable utilization of Livestock Genetic Resources.
- Improving the genetic make-up through the use of Animal Reproductive Technologies.
- Enhancing the available feed resource base through the introduction of fodder resources.
- Development of skilled human resources in order to strengthen the animal breeding services.

4.2. Special Livestock Development Projects implemented during the year 2012

Four (04) special livestock development projects were implemented through National Budget.

- a. Livestock Breeding Project
- b. Heifer Calf Rearing (HCR) Project
- c. Goat Development Project
- d. Strengthening of field level Goat breeders

One (01) development project was implemented through Foreign Funds(Details are given under Chapter 11)*

- a. Genetic Feeding and Management Improvement Project - Funded by JICA

4.2.1. Livestock Breeding Project

a. Production of Semen

A total of 171,765 doses of deep frozen (DF) semen from Jersey, Jamunapari and Saanan breeds were produced at Central Artificial Insemination Station (CAIS), Kundasale and 32,639 doses of deep frozen semen from Sahiwal, Jersey and Murrah breeds were produced at Artificial Insemination Center (AIC), Polonnaruwa.

Cost of Production of a DF semen dose in 2012 was decreased by 33.4 % (Rs.34.32) compared to previous year's cost of Rs.45.79.

b. Import of Semen

Import of Jersey, Friesian (sexed and unsexed) and Girolando semen totaled 3,500 doses, 3,982 doses and 13,000 doses respectively during 2012.

c. Distribution of Semen

A total of 237,233 of local doses and 5,322 of imported doses of DF semen were distributed in the country during the year (Table 4.1). This includes semen of Cattle, Buffalo and Goat.

Table 4.1: Breed-wise semen issues -2012

Species	Breed	Locally produced	Imported
Cattle	Jersey	136,940	1,771
	Friesian	41,534	816 ^a
			200 ^b
	Sahiwal	18,735	1635
Crossbred	26,899	390 ^c	
Buffalo	Murrah	5,927	425
	Nili Ravi	0	10
Goat	Saanan	730	35
	Jamunapari	6,433	40
	Boer	35	0
Total		237,233	5322

a* unsexed b* sexed c* Girolando

d. Artificial Insemination Service

Artificial Inseminations (AI)

The achievement of AI for the year 2012 was 203,753 (Cattle and buffalo) which is 12.12% increase over the year 2012. The highest number of AI has been performed in the Central Province.

Province-wise AI targets, performance and achievement of the country for the year 2012 are given in Table 4.2.

A total of 2785 inseminations in goats and 558 inseminations in swine have also been carried out during the year.

Table 4.2: Province-wise AI targets, performance and achievement - 2012 (Cattle and Buffalo)

Province	Target	Performance	Achievement (%)
Western	28,482	25,719	90.3
Central	50,700	53,460	105.4
Southern	17,995	11,359	63.1
Northern	25,358	15,123	59.6
Eastern	13,605	8,622	63.4
North western	53,500	47,813	89.4
North central	23,283	13,791	59.2
Uva	22,462	20,313	90.4
Sabaragamuwa	14,615	7553	51.7
Total	250,000	203,753	81.5

Pregnancy Diagnosis (PD)

Number of Pregnancy Diagnosis performed by field Veterinarians was 49,798. Detail of Province-wise target,

performance and achievement are given in Table 4.3.

Table 4.3: Province-wise target, performance and achievement of PD - 2012

Province	Target	Performance	Achievement (%)
Western	9,750	6,497	66.6
Central	24,000	7,063	29.4
Southern	6,140	5,689	92.7
Northern	4,990	3,439	68.9
Eastern	7,435	4,037	54.3
North western	26,000	11,915	45.8
North central	8,000	3,138	39.2
Uva	4,922	4,991	101.4
Sabaragamuwa	4,800	3,029	63.1
Total	96,037	49,798	51.9

Calving

Province-wise target, performance and achievement are given in Table 4.4.

A Total of 66,860 calving have been reported during the year. The province-

Table 4.4: Province wise target, performance and achievement of calving -2012

Province	Target	Performance	Achievement (%)
Western	10,900	9,194	84.3
Central	18,000	15,435	85.8
Southern	1,100	4,493	404.5
Northern	3,751	3,094	82.5
Eastern	4,659	2,649	56.9
North western	25,000	18,794	75.2
North central	4,608	3,657	79.4
Uva	5,212	6,758	129.7
Sabaragamuwa	3,200	2,786	87.1
Total	76,430	66,860	87.5

AI Training

Livestock Development Officers (LDO) and Private AI technicians were trained on AI in order to strengthen the field AI program. A total of 34 Veterinary Surgeons 98 government technicians and 13 private AI technicians have been trained at the Artificial Insemination Training Center, Polonnaruwa (Table 4.5).

Table 4.5: Training of AI Technicians

Technician Category	No. Trained
Veterinary Surgeons	34
LDO (Fresh)	74
LDO (Refresh)	24
Private Tech (Fresh)	13
Total	145

e. Infertility Investigations

Seven (07) programs were conducted in Six (06) veterinary ranges in Central and Sabaragamuwa Provinces. Number of cases attended during the year was 83 and out of that 32 cows became pregnant.

f. Oestrus Synchronization

Goat Ultra - sound Scanning and oestrus synchronization

Total of 106 does were examined in Thelahera and Imbulandanda goat breeding stations for pregnancy diagnosis using ultra sound scanner and 90 does were identified as pregnant.

g. Bull Calf Rearing Programme (Natural Service Programme)

The objective of Bull Calf Rearing Programme is to supply suitable bull calves (pure or cross bred) for needy

farmers, in order to enhance the Natural Breeding Programme.

Achievements in 2012:

- Total number of bull calves selected - 172 (cattle 84, buffalo 88)
- Total Number of bull calves issued - 164 (cattle 78, buffalo 86)

h. Pasture Development Programme

The pasture development programme is operated in the Department farms as well as with the farmers who need support for pasture and fodder development.

The main objective is to maintain pasture and fodder nurseries with improved varieties, issue pasture cuttings to needy farmers and conducting training programs for farmers as well as for officers. The details of progress are given in *Table 4.6*.

Table 4.6: Pasture Development Programme - 2012

	Activity	Target	Achievement
1	Farmer training on production and utilization of pasture and fodder (Man Days)	18	6
2	Extent of fodder production at (Ac)AI Centers	15	16.5
3	No. of nurseries established (No.)	5	2
4	Quantity of fodder conserved as hay Blocks (MT)	500	250

4.2.2. Heifer Calf Rearing Program

The objective of this project is to improve and increase availability of breedable heifer calves in the country. The major activities are registration of heifer calves, distribution of calf and cattle feed, distribution of de-worming

medicines, external parasiticides, conducting training programs related to calf rearing and operating heifer calf insurance scheme.

The physical achievements for the year 2012 are given in *Table 4.7*.

Table 4.7: Physical Achievements of Heifer Calf Rearing Project

Major activity	Unit	Target	Achievement
Registration of heifer calves	No. calves	10,000	1,167
Distribution of cattle feed	MT	1,200	2,257.11
Distribution of mineral supplement	MT	40	26.1
Distribution of de-worming medicines	No. of doses	50,000	57,180
Distribution of de-ticking medicines	No. of doses	50,000	36,892
Conducting training programs	No. of Mandays	500	260
HCR insurance scheme	No. calves	10,000	1,167

4.2.3. Goat Development Programme

Under the Goat Breeding Programme of the DAPH, Jamnapari nucleus herd consisting 237 does and their followers are being maintained in goat breeding stations at Thelahera and Imbulandanda. Progeny of Jamnapari goats imported from India were multiplied in these two farms. The main objective of running these two breeding stations is to maintain nucleus herds to produce goats breeding materials that are needed to be issued to the field. During this year 199 male goats and 304 female goats were issued for breeding.

4.2.4. Strengthening of Field Level Goat Breeders

Under this programme, it is intended to increase the availability of high quality breeding materials viz. high-bred studs to medium scale farms and to improve the advisory services as well as to introduce kid care package to the goat keepers.

During the year, 40 male goats (as studs) have been issued to the farmers.

4.3. Financial progress

The capital and recurrent financial allocation and expenditure of the division for the year 2012 are as follows:

	Allocation (Rs. Mn)	Expenditure (Rs. Mn)	Achievement %
Capital	181.75	176.74	97.2
Recurrent	1.37	1.35	98.5

5. VETERINARY RESEARCH INSTITUTE

5.1. Introduction

Veterinary Research Institute (VRI) is the only national level Research Institute, involves in veterinary research, diagnostics, consultancy, teaching and technology transfer activities. In view of improving animal health and livestock production in the country, a number of innovative livestock products have been produced by the VRI to the farming community and other stakeholders of the industry. On the other hand diagnostic testing, laboratory and advisory services are provided by the VRI with the intention of uplifting economic status of the livestock farming community. Basic and applied researches are conducted in collaboration with various other national and international research bodies in order to explore the novel concepts and knowledge in the profession.

Main Functions of the VRI

- Conduct animal production and health research
- Production of veterinary vaccines
- Supply of biologicals
- Laboratory disease diagnosis and investigations
- Provide Analytical facilities
- Provide referral laboratory facilities for the livestock industry and other institutions, both nationally and internationally
- Provide inputs for Dairy and Poultry Sector
- Provide technology expertise
- Support implementation of regulations and legislative enactments related to livestock sector

5.2. Products and Services

The details of manufacture and issue of veterinary products by the VRI in 2012 is as follows;

5.2.1. Products issued

a	Vaccines	Production (Doses)	Issues(Doses)
	HS (Oil/ Alum)	850,990	850,990
	BQ	225,225	198,753
	Tick fever - <i>B. bovis</i>	4,580	} 2,348
	- <i>B. bigemina</i>	4,400	
	Wart	7	7
	Brucella	15,000	15,000
	New Castle	7,167,600	5,058,800
	Fowl Cholera	237,270	114,510

b Diagnostic Reagents

CMT reagent (Liters)	12.5	12.5
Pullorum antigen (doses)	84,000	80,000

c Therapeutic reagents

Teat dip solution (Liters)	92.5	92.5
Udder infusion base (vials)	54	54
Magnesium sulphate solution (vials)	149	149

d Dairy Products

Yoghurt culture (vials)	250	202
Curd culture (vials)	120	93

5.2.2. Services

Examination of specimens

<i>Sample</i>	<i>Number</i>
Blood smears	618
Dung/Faecal samples	198
Litter samples	35
Meat identification	69
Tissue samples for histopathology	372
Plasma/Serum samples for Brucellosis & Leptospirosis	701
Plasma/Serum samples for HPAI	3,555
ABST	66
Other samples	148

Analysis, identification and quality testing of samples

<i>Specimen</i>	<i>Number</i>
Feed	1,724
Milk and dairy products	543
Soil	42
Water	43
Yoghurt	23
Curd	14

Field investigations

<i>Activity</i>	<i>No. of Visits</i>
Field investigations on poultry	172
Field investigations on Bovine, Caprine and other	72
Field investigations into nutritional problems	115
Ration formulation	101

5.3. Clients Registered at VRI

Clients Registered at different Units

<i>Place of Registration</i>	<i>No. of clients</i>
Coordinating unit (Room 21)	2261
Central Poultry Research Station (CPRS)	1809
Information Technology Centre (ITC)	1120

5.4. Research Projects

Research Projects conducted by VRI during the year are as follows;

1. Quantification, characterization and quality improvement of locally available rice polish/bran for poultry feed.
 Chief Investigator: Dr.S.S.P. Silva
 Duration: 2 years
 Collaborating workers: Dr. U.L.P.Mangalika, Dr. N.Priyankarage,
 Dr. M.W.C.D.Palliyeguru
 Status of the Project: Completed

2. Evaluation of aflatoxin MI levels in cow milk and effects of toxin binders on the production and performance of dairy cows.
 Chief Investigator: Dr.W.M.P.B.Weerasinghe
 Duration: 2 years
 Collaborating workers: Dr. U.L.P.Mangalika, Dr.S.S.P. Silva, Dr. N.Priyankarage,
 Dr. M.W.C.D.Palliyeguru
 Status of the Project: Completed

3. Quality and strategies to improve the quality of locally produced maize.
 Chief Investigator: Dr.N. Priyankarage
 Duration: 2 years
 Collaborating workers: Dr. S.P.Gunaratne, Dr. S.S.P. Silva, Dr. U.L.P.Mangalika,
 Dr. W.M.P.B. Weerasinghe, Dr. M.W.C.D. Palliyeguru, Dr. P.S.Fernando,
 Dr. A.P.D.G.Pathirana
 Status of the Project: Continue to year 2013

4. Effect of feed grade antibiotics on dietary trypsin inhibitor activity and sub-clinical necrotic enteritis in broiler chickens.
 Chief Investigator: Dr.M.W.C.D.Palliyaguru
 Duration: 3 years
 Collaborating workers: Dr. U.L.P.Mangalika, Dr. S.S.P. Silva, Dr. N.Priyankarage, Dr. W.M.P.B.Weerasinghe, Dr. G.A.Gunawardena, Dr. J.K.H.Ubeyratne, Dr. A.Thiskumara
 Status of the Project: Continue to 2013

5. Value addition and cost/benefit analysis of goat milk production with supplemental Thampala (*Amaranthus spp.*) feeding to enhance fatty acids beneficial to human health with special reference to conjugated linoleic acid (CLA).
 Chief Investigator: Ms.I.K.Leukebandara
 Duration: 04 years
 Collaborating workers: Dr. Swarna Wimalasiri, Prof. S.Premaratne, Dr. M.B Navaratne
 Status of the Project: Completed

6. Investigation of reported Oxytetracycline resistance in cattle at Polonnaruwa NLDB farm and implementation of a new treatment regime or a new therapeutic agent for immature paramphistomiasis.
 Chief Investigator: Dr.S.S.Iddamaldeniya
 Duration: 01 years
 Collaborating workers: Dr. N.B.Navaratne, Dr N.D.S.Dissanayake
 Status of the Project: Completed

7. Surveillance of the incidence of subclinical necrotic enteritis in commercial poultry farms and its economical impact in Sri Lanka
 Chief Investigator: Dr.P.S. Fernando
 Duration: 3 years
 Collaborating workers: Dr. M.A.R.Priyantha, Dr. S.S.P .Silva, Dr. N.Liyanagunawardena
 Status of the Project: Completed

8. Development of udder base infusion for dry cow treatment.
 Chief Investigator: Dr.P.S.Fernando
 Duration: 2 years
 Collaborating workers: Dr. M.A.R.Priyantha, Dr N.Liyanagunawardena
 Status of the Project: Continue to 2013

9. Assessment of potential Disease threat posed by Backyard Poultry.
 Chief Investigator: Dr.U.K.S.P. Alexander
 Duration: 2 years
 Collaborating workers: Dr.N.Jayaweera, Dr. J.K.H.Ubeyratne
 Status of the Project: Continue to 2013

10. Investigation of immune response of locally produced vaccine against Newcastle Disease in commercial layers.
 Chief Investigator: Dr.H.Kothalawala
 Duration: 2 years
 Collaborating workers: Dr. K.Jayasundara
 Status of the Project: Continue to 2013

11. Groundwork preparation of a freeze dried powder from lactic acid bacterial inoculant for silage making.
 Chief Investigator: Mr. G.G.C. Premalal
 Duration: 2 years
 Collaborating workers: Dr. U.L.P Mangalika, Dr.P.S. Fernando
 Status of the Project: Completed

12. Evaluation of hydroponic fodder for dairy milk producers.
 Chief Investigator: Mr.G.G.C. Premalal
 Duration: 1 year
 Collaborating workers: Prof. S. Premaratne, Dr. G.A.D.Perera
 Status of the Project: Completed

13. Study of market margin in different livestock products in Sri Lanka.
 Chief Investigator: Mr.R.M. Chandrasena
 Duration: 3 years
 Collaborating workers: Mr. D.V.S de S. Gamage
 Status of the Project: Completed

14. Antibody response in chicken to live and inactivated Infectious Bursal Disease vaccines in field situation.
 Chief Investigator: Dr.J.M.K.G.K.Jayasundara
 Duration: 2 years
 Collaborating workers: Dr. H.Kothalawala, Dr. S.Ralapanawa
 Status of the Project: Completed

15. Occurrence of TB among cattle in areas with high prevalence of human cases in Central Province.
 Chief Investigator: Dr.G.A.Gunawardena
 Duration: 2 years
 Collaborating workers: Dr A.Arulkanthan, Dr. Jayanthi Alwitigala
 Status of the Project: Continue to 2013

16. PCR based species differentiation of Paramphistomum using AFLP technique.
 Chief Investigator: Dr.S.S.Iddamaldeniya
 Duration: 2 years
 Collaborating workers: Dr. M.B.Navaratne, Dr.N.D.Senasinghe, Ms. S.M.Kaluarachchi, Mr. M.R.M. Aarthik
 Status of the Project: Completed

17. An Epidemiological study on bovine Babesiosis in Sri Lanka.
 Chief Investigator: Dr.N.D.S.Dissanayake
 Duration: 2 years
 Collaborating workers: Dr. M.B Navaratne, Dr. S.S.Iddamaldeniya
 Status of the Project: Continue to 2013

18. Formulation of DVS culture for yoghurt.
 Chief Investigator: Dr. P.S. Fernando
 Duration: 2 years
 Collaborating workers: Dr. N.Liyanagunawardena, Dr.M.A.R.Priyantha
 Status of the Project: Continue to 2013

19. Foot and mouth disease outbreaks Foci of Origin and route of spread of the infection.
 Chief Investigator: Dr.S.A.E.Abeyratne
 Duration: 2 years
 Collaborating workers: Dr. B.D.R.Wijewardena, Dr. H.Kothalawala
 Status of the Project: Continue to 2013

20. Microbial load, composition, keeping quality and prevalence of Listeria species in ready to drink pasteurized milk products.
 Chief Investigator: Dr. J.K.H.Ubeyratne
 Duration: 2 years
 Collaborating workers: Dr. M.D.N.Jayaweera, Dr. U.L.P.Mangalika
 Status of the Project: Continue to 2013

21. Prevalence of latent carriers of *Pasteurellamultocida* in cattle and buffaloes.
 Chief Investigator: Dr.M.A.R.Priyantha
 Duration: 1 year
 Collaborating workers: Dr. S.Puvanendiran
 Status of the Project: Completed

5.5. Research Publications - 2012

Details of research publications are in *Annex IV*.

5.6. Financial Progress

The financial allocation for capital expenditure and recurrent expenditure for the year 2012 and actual expenditure as given below:

	Allocation (Rs. Mn.)	Expenditure (Rs. Mn.)	Achievement (%)
Capital	74.90	67.95	90.72
Recurrent	34.11	34.11	100

6. HUMAN RESOURCE DEVELOPMENT DIVISION

6.1. Introduction

The main responsibility of Human Resource Development division is to develop human resources in order to meet the present and future needs of the Livestock sector.

HRD Division administers following seven (07) units.

- Institute of Continuing Education for Animal Production and Health (ICEAPH), Gannoruwa, Peradeniya.
- Sri Lanka School of Animal Husbandry (SLSAH), Karandagolla, Kundasale.
- Animal Husbandry Training Center (AHTC), Seppukulama, Anuradhapura.
- The Department Library, Gannoruwa, Peradeniya.
- Information Communicating Unit.
- Livestock Knowledge center, Getambe.

Main Functions of the Division

- Training and technology transfer
- Education and career development
- Information and publicity
- Entrepreneurship development and self-employment support services

6.2. Training and Transfer of Technology

6.2.1. Training Conducted at ICEAPH

The ICEAPH strives to conduct year round training programs, workshops, seminars to upgrade the knowledge and improve the skills of the officers of this Department and personnel of other organizations who are involved in the livestock industry activities.

Achievement of training conducted during 2012 at ICEAPH is given in Table 6.1. and Table 6.2.

Table 6.1: Details of Training conducted at ICEAPH

Category	Planned	Achievement
	No. of Programs	No. of Programs
AP& H Service Officers	51	47
Middle Level Officers	29	14
Supportive Staff	09	05
Other Programs	-	4
Total	89	70

Table 6.2: Progress of Training Conducted at ICEAPH

Item	Target	Achievement
Number of Trainees/ participants	1,965	1,225
Number of training man days	3,040	2,113

6.2.1 Special training conducted during the year

The special training conducted during 2012 is given in *Annex V*.

6.2.3. Training at Animal Husbandry Training Centre (AHTC), Seppukulama

At AHTC, Seppukulama, 24 training programs were conducted during the year and 921 trainees participated. The details are as follows;

Category of participants	No of programs	Number of participants
Government officers	03	165
Farmers	06	154
School children	02	100
Diploma students	03	279
Others	10	223
Total	24	921

6.3. Educational and Career Development

6.3.1. Sri Lanka School of Animal Husbandry (SLSAH), Karandagolla, Kundasale

The SLSAH, Karandagolla has been conducting two (02) year Diploma programme in Animal Husbandry.

Thirty four (34) students were passed out from 2010/2012 academic year .new batch for the academic year 2012/2014 was started on 2012/05/15. Number of students enrolled for this programme was 91. The batch continued in the first academic year with the practical training programme



Figure 6.1: Diploma students engaged in Practical Training

6.3.2. Internship Training for Veterinary Graduates

Two (02) internship programs were started during the year 2012 and one programme continued in the year 2013. Details of these programs are given below;

Batch Number	No. of Internees	Date of Commencement	Date of Completion
ITP/2012/01	37	2011/11/01	2012/04/31
ITP/2012/02 R	12	2012/02/01	2012/07/31
ITP/2012/2013/3	54	2012/11/01	2013/04/30

6.3.3. Foreign Training

Details of overseas training received by DAPH officers in 2012 are given in *Annex VI*.

6.3.4. Support for Post Graduate Training

During the year 2012, HRD Division supported in post graduate fellowships for one (01) Development Assistant to follow Master of Social Sciences programme and one (01) SLAS officer to follow Master of public management in local university and other institution.

6.4. Examinations

The HRD division is responsible for conducting examinations for department officers. Details of examinations conducted by DAPH in 2012 are given in *Annex VII*.

The Results of Department examinations released are given below:

No	Name of the Exam	Name of the institution	Number
01	First Efficiency Bar Examination for SLAP&H Officers	Department of Examination	27
02	Second Efficiency Bar Examination for SLAP&H Officers	Department of Examination	37

Table 6.3: Mass Media Activities in 2012

Type of Media	No. of Programs (Planned)	Channel/ Station/ News paper	No. of Telecasts/ broadcasts/ releases
TV	12	-	12
Radio	96	SLBC	104
News releases		Radio /TV/News paper	44

6.5. Information and Publicity

6.5.1. Publications in 2012

a. New Publications in 2012

Invitation cards	700
Greeting cards	500
Leaflets	47,000
Stickers	1,100
Circulars	500
Applications	4,000

b. Reprints in 2012

Leaflets	-	108,900
Application forms	-	1,059,000

6.5.2. Sale of Publications during the year 2012

No. of booklets/leaflets	34,937
No. of photographs (10x12 size)	38
No. of CD's	49

6.5.3. Mass Media Activities

The division continued broadcasting/ telecasting/ publishing programs and articles in various TV Channels/ Radio Stations/Newspapers. Details are given in *Table 6.3*.

6.5.4. Production of Audio Visual Material

During the year eight (08) exhibits were prepared.

6.5.5. Exhibitions

Table 6.4: Exhibitions conducted/ participated in 2012

Category	Venue	No. of Days
National Level	Seethawaka Abimanaya - Hanwella	03
	Deyata Kirula 2012 - Oyamaduwa	09
	International Women's Day - Hatton	03
	Livestock and Poultry Exhibition - Kuliypitiya	02
	Agriculture Centenary Exhibition - Gannoruwa	05
Provincial Level	Tharuna Aruna programme - Pollgolla	04
	PHDT 20 th Anniversary exhibition - Thalduwa	02
Total		28

6.6. Entrepreneurship Development and Self-Employment support services

Scheme is an important and highly promising programme carried out by the Division.

The Entrepreneurship development and Self-Employment Support Training

Details of the training conducted during 2012 are as follows;

Basic Training for self-employment

Topic	Venue	No. of Programs	No. of Participants
Dairy Management	Seppukulama	01	24
Small scale milk processing	Seppukulama	01	21
	Palugahatenne	01	29
	Vavuniya	01	65
	Senapura	01	150
Total		05	289

Follow up Technical Training Programs

Topic	Venue	No. of Programs	No. of Participants
Milk Products Making increasing of milk production	Palapathwala	01	80
	ICE APH	01	26
	Seppukulama	01	21
	Dolosbage	01	85
Small Scale Business Management	Seppukulama	01	21
Total		05	233

6.7. The Department Library

The Department Library continued serving as the National level Library for Livestock industry related fields and Veterinary Science.

- Number of members in 2012 - 250
- Number of books/ reports received - 148

6.8. The Departmental Hot Line Service

The DAPH maintained a Hot Line Service (Tel: 081-2388463) to facilitate stakeholder needs. The details of performance are given below;

	Activity	Number
1	Total number of clients served	2,527
2	Follow-up service	353
3	Clients directed to co-institutions	422
5	Publications sold to clients	4,577
4	Media - livestock news recorded	228
6	Paper cuttings collected on livestock	1,908

6.9. Financial Progress

The financial allocation for capital and recurrent projects/ activities for the year 2012 and actual expenditure are given below:

	Allocation (Rs.Mn)	Expenditure (Rs.Mn)	Achievement (%)
Capital	33.54	33.54	100
Recurrent	13.60	13.60	100

7. LIVESTOCK PLANNING AND ECONOMICS DIVISION

7.1. Introduction

The Livestock Planning and Economics (LPE) Division is responsible for planning, monitoring and evaluation of livestock development programs and activities implemented by the Department to support development of the livestock sector in Sri Lanka. LPE division also maintains the national level database to collect and compile livestock statistics and data which are accessible to the public and to policy makers, researchers, university students. The Data Processing Unit is responsible for data entry, analysis and preparation of reports/documents to the data bank and to the ministry and other relevant organizations.

Main functions of the division

- Identification and formulation of livestock development programs and projects;
- Monitoring, evaluation and economic analysis of livestock development programs and projects of the department;
- Conduct economic studies to assess feasibility and viability of livestock development programs and projects;
- Periodic review of livestock industry and identify issues that need to be addressed for policy formulation;
- Management of livestock data base at national level;
- Co-ordinate livestock development programs with provincial DAPH and other state institutions and organizations;
- Coordinate implementation of e-government policy in the department.

7.2. Identification and Designing of Livestock Development Programs and projects

LPE division is responsible for identification and formulation of livestock development projects and forwarding them to funding agencies. Funding could either be through the National Budget or Foreign Donor Agencies.

7.2.1. Projects for the National Budget- 2013

Fourteen (14) new projects proposals for 2013 were formulated in collaboration with respective divisions in 2012. These project proposals were forwarded to the Department of National Planning for consideration, and forwarded to the Treasury. Out of these, three (03) project proposals were approved for implementation from the year 2013.

Titles of the approved projects are as follows:

- Export Facilitation of Chicken Meat and Eggs through Poultry Health Management
- Expansion of Animal Health Surveillance
- Exploring Commercial Fodder Production for Dairy Development in Sri Lanka

Furthermore, 17 on-going projects of the DAPH for continuation for coming years were reviewed; proposals forwarded and necessary approvals were obtained.

7.3. Monitoring, Evaluation and Economic Analysis of Livestock Development Programs and Projects of the Department

7.3.1. Physical and financial progress review of Departmental programs

a. Action plan and progress

Action plan for physical and financial progress review of the DAPH was prepared for the year 2013. The physical and financial progress was monitored monthly on the thrust area basis and reports were submitted to the Ministry.

Capital expenditure utilization of the DAPH was 87.68% in 2012 which was less than the previous year (88.45%). The progress of recurrent fund utilization was 99.71 % in 2012, which was also less than the corresponding figure of 99.98% in the year 2011. The details are given in *Chapter 10*, under the Finance division.

b. Progress Review Meetings of the department

Physical and financial progress of departmental programs is reviewed at progress review meetings represented by respective directors and relevant officers of divisions. LPE division organised and facilitated to conduct such reviews throughout the year.

7.3.2. Monitoring of Animal Production, Health and Extension activities in Provincial DAPH

a. Monitoring through Master Returns

Activities of Provincial DAPH are monitored through master returns submitted monthly by divisional veterinary offices in the country. Data were processed and analysis reports were prepared and communicated to

Provincial DAPH as well as all divisions of the DAPH and the Ministry.

Analysis of selected data is given in *Annex VIII*. Data on animal health activities are given separately under section on animal health division.

7.4. Review of Livestock Industries and Management of Livestock Database at National Level

Availability of reliable statistics is one of the main pre-requisites for any planning and monitoring pertaining to the livestock sector. This is also one of the main responsibilities of the LPE Division which was facilitated by the data processing unit and the data bank.

7.4.1. Data Collection, Compilation and Management

Data collection systems have been further improved during the year. Data on livestock population, production, prices, imports and exports etc. were collected on Industry- basis. Initiatives were taken by the division to convert this as an electronic livestock statistics database. Ten year data document has been updated.

a. Milk Collection

Data collected from leading milk processing organizations in the formal milk market in the year 2012. Total milk collection by 13 key organizations was 183.6 million litres. Central Province and the North Western Province contributed for this total as 30.7% and 20.5% respectively. Overall milk collection has shown an increase of 39.65 million litres in the year 2012, which is a growth of 27.5% over the corresponding volume in 2011. District-wise milk collection data for the year 2012 is given in *Annex IX*.

b. Import and export of animals/animal products and feed ingredients

Quantities and the value of import of animals, animal products and feed ingredients in 2012 was obtained from Sri Lanka Customs and analyzed. Quantities of Dairy products, Meat and Meat products imported into the country in 2012 totaled 83,817.74 MT and 878.81 MT with the value of Rs.39.0 billion and Rs.95.8 million respectively. Import of Dairy products has been increased and meat products import has been decreased in the year 2012 when compared with the previous year 2011.

Total of 492.18 MT of milk and milk products and 459.23 MT of meat and meat products have been exported to other countries during year 2012.

b. Data Bank

LPE division maintains the National data bank containing all livestock data, statistics and related documents, reports, and bulletins which can be used by DAPH and other state officers, University/ diploma students and private entrepreneurs. The data bank has been utilized by 47 users in 2012 and, 60 reports and bulletins were also received during the year.

c. Dissemination of data/statistics

Important livestock statistics and findings of surveys, studies conducted by the division need to be communicated to relevant officers/organizations and stakeholders. Livestock Statistical Bulletin was compiled and published by the division in 2012. Two issues were released during the year and, survey findings and the reports on cost of production, latest livestock statistics were distributed among the DAPH and related organizations, through Livestock

Information Bulletin. A total of 24,328 website users were report in 2012.

d. Sector Reviews

Poultry Industry monitoring committee

A poultry industry monitoring committee was established in the department to monitor the poultry industry in Sri Lanka in year 2012. This committee is consisted of industry representatives and officers from the department as well. Department of Agriculture is also representing the meeting to facilitate and overcome the issues related to poultry industry. This committee was chaired by the Director General of the Department. Many issues have been addressed during the year 2012 and four (04) such meetings had been conducted. Two special meeting with layer framers and hatchery owners have also been held during the year 2012.

7.5. Coordination of Development Programs with Provincial DAPH and special development projects

Several development programs are jointly implemented by the National and Provincial DAPH and technical back-up services and inputs are mostly provided by the National DAPH.

7.5.1. Provincial Director's Meetings

LPE division organizes and coordinates Provincial Director's meetings to review on-going livestock development programmes and to discuss on administrative and financial matters. Four (05) such meetings were held during the year 2012.

7.5.2. Special Livestock Development Projects

a. Veterinary Service Improvement Program

A project to improve services of provincial veterinary offices was commenced in year 2008 as seven (07) year development plan aiming at improving infrastructure facilities of veterinary offices.

Construction works of three (03) veterinary offices were continuing from 2011 in Central Province (Dambulla), Sabaragamuwa Province (Yatiantota) and Northern Province (Karaveddy).

Construction work of six (06) new veterinary offices in Hatharaliyadda, Habaraduwa, Rideetenna, Galigamuwa, Kekirawa and Dankotuwa were commenced in 2012.

Construction work of four (04) veterinary offices in Central (Dambulla and Hatharaliyadda), Sabaragamuwa (Yatiantota) and Southern (Habaraduwa) provinces were completed in the year 2012.

b. Programme to Mitigate Environment Issues Pertaining to Livestock Industry

Environmental related problems continued to be the main problem suppressing further development of the livestock sector. A technical back-up system to support Provincial DAPH and the livestock industry in handling matters related to environmental issues had been identified as a priority area by the DAPH. Accordingly, following activities were coordinated and Implemented by the LPE division in the year 2012:

- Technical Committee meeting was held to disused matters related to

environmental issues (*one meeting was held during the year*);

- Field visits made to livestock farms reported with environment related issues, by members of the technical team along with the respective veterinary surgeon and, provided necessary guidance/advise (*Recommendations given for Seven farms in 2012*);
- National level advisory committee meeting was held in collaboration with relevant institutions. Two (02) such meetings were held in 2012;

7.6. Publications

The division compiled following publications/reports during the year 2012.

- Action Plan DAPH -2012
- Physical and Financial Monitoring Plan DAPH - 2012
- Annual Report - 2011
- Monthly physical and financial Progress Reports of DAPH
- Progress Reports for *Mahinda Chintana Programme*
- Budget Report DAPH, Progress for 2012 and Plans for 2013
- Livestock Development Projects - 2012
- Statistical bulletin – two issues
- Livestock Information Bulletin.
- Action Plan 2012 - LPE Division

7.7. Other Activities

7.7.1. E -Government Programme

Livestock planning and economic Division (LPE) is responsible to liaise with ICTA and to handle correspondences regarding Lanka Government Network (LGN) and Government Information Centre (GIC). Dr. K.D. Ariyapala of the LPE division serves as a Chief Innovative Officer (CIO) for ICTA.

The LPE division holds the responsibility of managing and updating the department website www.daph.gov.lk. Livestock data, statistics, maps, departmental activities and details of each division have been incorporated into the web site. Regular updating of news and the events of the department is a valuable feature in the department web site. By the end of the year number of web users have become increased remarkably which has been calculated automatically as 200 users per day. The online application service (e-service) for import and export of

animals is also an additional service provided by the department web site.

7.7.2. Elephant Tranquilization

The Elephant Tranquillisation Unit of the DAPH, coordinated by this division, continued to provide services in giving protection for elephants used in religious and other type of processions. Veterinarians attached to the DAPH participated in this activity and, during the year 2012 protection was given to 57 processions in various regions island wide.

7.8. Financial Progress - 2012

The financial allocation for capital and recurrent expenditure for the year 2012 and actual expenditure as given below:

	Allocation (Rs. Mn.)	Expenditure (Rs. Mn.)	Achievement (%)
Capital	517.37	438.82	84.8
Recurrent	7.20	4.95	68.75

8. VETERINARY REGULATORY AFFAIRS DIVISION

8.1. Introduction

Implementation of statutes made under the provisions of Animals Act, Animal Diseases Act and Animal Feeds Act are handled by the Veterinary Regulatory Affairs (VRA) division.

Main Functions of the Division

- Strengthen/Improve Animal Quarantine management system in Sri Lanka to prevent entry of exotic animal diseases/illegal imports.
- Trade facilitation of import and export of animals and animal products of animal origin and other inputs.
- Quality assurance of processed, further processed poultry meat, frozen fish, animal feed ingredients, veterinary drugs and biological / products.
- Safeguard and protect productive national herd to accomplish a traceability system and to achieve objectives of the Master Plan.

8.2. Animal Quarantine and Inspection Service

8.2.1. Import of Animals, Animal Products and By Products and Post import Quarantine Activities

Animal Quarantine service is one of the essential services provided by the DAPH. It mainly deals with the inspection and quarantine of import and

export of animals, animal products and by-products.

a. Quarantine Holdings

Details on Quarantine holdings (other than the AQS) and the period of quarantine for large/zoo animals in 2012 are given in *Annex X*.

b. Import and Quarantine Surveillance

Details of consignments that were subjected to quarantine surveillance in 2012 are given in *Annex XI*.

c. Sampling of Imported Poultry (HPAI surveillance programme)

Consignments of Day-Old Chicks (DOC) are released to importers under the quarantine surveillance agreement and monitored by the weekly reports sent by the importer. Serum samples and cloacal swabs are taken at the point of entry and during the farm inspections. When mortality is above four (04) percent, the relevant farm/s were visited by AQO's immediately to investigate and to rule out the possibility of HPAI infection.

As part of the active surveillance programme carried out against HPAI, imports were closely monitored clinically and laboratory testing was done during the surveillance period. (*Table 8.1*)

Table 8.1: HPAI Surveillance Programme - Laboratory test results - 2012

No of farm visits - (2012)	Total no of samples sent to the laboratory (2012)	Test results (2012)
16 (AQS, Colombo)	Cloacal swabs - 1350 Blood samples -1259 Serum samples 180	Negative Negative Negative
45 (AQS, BIA)	Cloacal swabs - 3930 Blood samples- 3460	Negative Negative

d. Consignments Detained/ Destroyed/ Re-exported in the Year 2012

Details of consignments of Animals, Animal Products and Animal By-Products that were not allowed to enter into the country in 2012 due to non-conformity with our import health requirements are given in *Annex XII*.

8.2.2. Export of Animals, Animal Products and By Products

a. International Veterinary Health Certificates for Meat

Details of export Health Certificates issued by the Chief Animal Quarantine Officer (CAQO) in 2012 are given in *Table 8.2*.

Table 8.2: Health certificates issued for export (2011-2012)

Item	No. of Health certificates issued	
	2011	2012
Ornamental fish	2,607	2,583
Dogs	114	135
Cats	47	73
Poultry	40	60
Pet birds	38	26
Zoo animals	02	03
Elephant	0	02
Rabbit/Rat/Hamsters/G. Pig	07	02
Animal Products (Meat & meat products)	3,140	3,584
Table eggs	293	582
Fish & Fish products	176	35
Animal by-products	187	177
Prawn/Crabs/Lobsters	283	53
Leather	32	33

b. Exports

Details on consignments of Animals, Animal Products and Animal By-Products that were subjected to animal quarantine inspections and approved for export are given in *Annex XIII*.

8.2.3. Inspection of Animal Feed Mills

As Authorized Officers appointed under the Animal Feeds Act AQO'S participated in inspection of five (05) feed mills in 2012.

8.3. Regulatory Activities - Livestock Industry

The VRA division facilitates international trade in animals and animal products through review and recommendations of request for imports.

a. Poultry

The regulatory activities carried out in 2012 in related to poultry industry are given below;

Activity	Number
Establishment of new poultry breeder farms	Broiler - 02 Layer - 01
Renewal of registrations; Poultry breeder farms	39
Processing centres	12
Further processing centres	10
Number of pre-clearances issued for import of poultry, poultry products and by-products	244
Surveillance audits of processing and further processing centres	13

b. Other Livestock and Livestock Products

Regulatory activities carried out during the year 2012 in respect to livestock and livestock products are given below;

Activity	No. of Applications received	Number Approved	Number of animals/ heads
Import of animals			
▪ Large Animals/other animals	14	14	3,772
▪ Zoo Animals	02	02	09
▪ Dogs and cats	289	277	349
▪ Live Fish	34	34	500,000 heads
Import of animal products			
▪ Meat and meat products	108	104	-
▪ Frozen Fish	366	361	-
▪ By-products			
Finished Leather	111	111	-
Animal hair and wool	99	99	-
▪ Semen	17	17	17

8.4. Veterinary Drug Control Authority

Under the provisions of Animal Diseases Act, No.59 of 1992 and its regulations Veterinary Drug Control Authority (VDCA) has been established to exercise control over the manufacture, import, export, sale and use of Veterinary Pharmaceuticals and biological products in order to safeguard the animal owners and the Livestock Industry.

Manufacturing/Re-packing License was issued for twenty five products. Products are Animox Animal Lotion, Ticgard Herbal Dusting Powder, Ticgard Anti Tick & Flea Lotion, Furgard Shampoo for Dog, Spector ENF, Sulphaquinoxaline Powder 20% w/v , Zymer CTC Albenda, Coxitril, Cyromazine 1% w/w, Square CTC 15%, Toltrazuril OS, Helmosol 10%, Tylo 200 wsp, C- Tetra 20%, Neomycin Powder 20%, Oxytetracycline Powder 20%, Lincomycin Powder 11%, Rancox Forte, Rancox, Albendazole 10% w/w oral powder, Tiamulin Powder 80% , Sulphaquinoxaline Powder 40% w/v, Quick Heal, Scoo & Crasy dog Shampoo, Interzan Gold & Can Can Dog Shampoo during 2012 and the period of validity is one year.

Dr. A. Sivasothy continued as the Registrar of the VDCA. During the year, eleven (11) committee meetings of VDCA were held in Peradeniya.

Duties and functions performed by the VDCA during the year are stated below:

a. New drugs registered

One hundred and five (105) new drugs registered in 2012. Details are as follows;

01. Antibacterial	:- 07
02. Antimicrobials	:- 20
03. Anthelmintics	:- 10
04. Antiparasitic	:- 01
05. Antibiotics	:- 19
06. Anti - Inflammatory	:- 04
05. Mineral Supplements	:- 07
06. Disinfectant	:- 03
07. Corticosteroid	:- 01
08. Vaccine	:- 18
09. Endo-ectoparasiticide	:- 10
10. Coccidiocidal	:- 01
11. Anesthetic	:- 01
12. Acaricide	:- 01
Total	103

b. Invoice Approvals

Five hundred and fifty three invoices were approved by VDCA to import veterinary pharmaceuticals and biological products into Sri Lanka during 2012 for the worth of 983 Million Sri Lankan rupees.

c. User Permit Approvals

One hundred and thirty one (131) user permits were approved during 2012. Details are given below;

01. Bacterial Poultry Vaccines	:- 20
02. Viral Poultry Vaccines	:- 61
03. Antimicrobials	:- 19
04. Poultry Coccidial vaccine	:- 17
05. Hormones	:- 01
06. Anthelmintics	:- 04
07. Poultry Disinfectant	:- 06
08. Large Animal Sedatives	:- 02
09. Others- vaccine Marker	:- 01
Total	131

Gazette Notification by Director General under the Authority given in the Animal Diseases Act, N0.59 of 1992 with the covariance from the Committee of VDCA regarding the validity period for registration of veterinary Pharmaceuticals and Biologicals is a remarkable milestone in the history of VDCA. Accordingly, registration of pharmaceuticals and biologicals are valid for three years.

8.5. Implementation of Animal Feed Act

Under the provisions of Animal Feeds Act, No.15 of 1986 and its regulations, the Animal Feed Advisory Committee (AFAC) has been established to exercise control over the manufacture, import, export, sale and use of animal feeds in order to ensure the quality at the local market.

Following members functioned as the members of AFAC in 2012.

1. Dr. W. K. De Silva - Director General
2. Prof. S.S.E.Ranawana - Expert
3. Dr. K. Samarasinghe - Dean, Faculty of Agriculture
4. Dr.S.S.P.Silva - DD, VRI
5. Mr. K.P. Krishnamoorthy - Industry representative
6. Dr. (Ms) T.A.C.Tiskumara - Animal Feed Registrar

During the year, three (03) committee meetings of AFAC were held in DAPH, Peradeniya. Fifteen (15) large, medium and small-scale registered Animal feed manufacturing establishments and Three (03) establishments for manufacture and export of feed additives, supplements and premixes were also in operation during the year.

The details of activities performed during the year are as follows;

a. Renewals/ new licenses for Animal Feed

Activity	Number
No of renewal of animal feeds	889
No of new licenses issued; For animal feed manufacture For Shrimp feed Imports	32 258

b. Collection of Turn over Returns

Turn over returns were collected from all registered animal feed manufactures in 2012. Based on these turn over returns total animal feed production by registered animal feed manufacturers for the year 2012 is given below.

Compound Animal Feed Production	2011 (MT)	2012 (MT)
Large scale feed millers	426,205.5	363,736.6
Self-mixers	255,723.3	297,601.7

Table 8.3: Compound animal feed production by type: 2011-2012

Type of Feed	Quantity 2011 (MT)	Quantity 2012 (MT)
Poultry Feed	386,253.13	363,736.64
Cattle Feed	28,244.40	14,687.90
Pig Feed	1,682.16	3,990.27
Shrimp Feed	575.58	10.00
Horse Feed	214.13	219.40
Goat Feed	362.10	78.25
Feed Premixes	8,750.31	595.32
Other Feed	123.57	4,000.95
Self-mixed	208,000.00	297,601.70
Total	634,205.44	684,920.44

* Source: TOR -2012 (by Registered Animal feed manufacturers)

Type and the quantity of poultry feed products manufactured by approved feed manufacturers in 2011 and 2012 are given in *Table 8.4*.

c. Usage of Raw Materials

Based on approvals considering for imports by feed manufactures and importers major raw material imports are given in *Annex XIV*.

Table 8.4: Poultry feed production by category (2011-2012)

Type of Feed	Quantity 2011(MT)	Quantity 2012 (MT)
Chick Starter	28,313.14	4,187.49
Layer Grower	7,720.58	7,863
Layer	50,307.44	26,463.69
Total Layer Feed	86,341.16	38514.8
Broiler Starter	99,820.63	95,375.69
Broiler Finisher and Grower	158,309.8	171,078.75
Total Broiler Feed	258,130.43	266,454.44
Broiler Breeder	39,668.00	54,094.77
Layer Breeder	2,113.59	4,673.25
Total Breeder Feed	41,781.59	58,768.02
Total Layer Feed	86,341.16	38,514.8
Total Broiler Feed	258,130.43	26,645.44
Total Breeder Feed	41,781.59	58,768.02
Total Poultry Feed	386,253.183	123,928.26

* Source: TOR -2012 (by Registered Animal feed manufacturers)

d. Implementation of BSE regulations on Animal feed imports

All imports of feed ingredients were screened prior to importation as a

measure to prevent entry of BSE causative agent into the country. A total of 76 permits related to different products of meat and bone Meal

(Quantity - 19,216.2 MT) of bovine origin and 2,170 permits for Non-bovine origin products were screened in 2012.

e. Export of Animal feed

Three (03) export establishments were in operation during the year.

- Number of export certificates issued for poultry feed and pre-mixes - 107
- Quantity exported (pre-mixes)
- 20,625.15 MT and 63,500 Litres

8.6. Animal Identification and Traceability Programme

During the year, measures have been taken to establish an animal identification and traceability system and a central livestock farm database. Total of 270,064 ear tags have been issued to provincial DAPHup to now and 612,526 animals have been ear tagged during the year 2012.

8.7. Financial progress

The capital and recurrent financial allocation and expenditure for the year 2012 are as follows.

	Allocation (Rs. Mn)	Expenditure (Rs. Mn)	Achievement (%)
Capital	7.09	7.09	100.00
Recurrent	35.00	13.25	37.85

9. ADMINISTRATION DIVISION

9.1. Introduction

The main responsibility of this division is managing staff activities and supporting services to achieve objectives of the Department.

Main functions of the division

- Attend to establishment matters related to all staff of the Department of Animal Production and Health;
- Handling correspondences regarding implementation of Service Minute of the Animal Production and Health Service;
- Attend to matters regarding the pensions/ loans/ quarters/ lands/ Agrahara scheme and legal issues of the department;
- Handling correspondences regarding recruitments, promotions, transfers and appraisals of the staff; and
- Office Management.

9.2. Present Cadre Positions of the Department

The present approved cadre positions of divisions (Animal Health, Animal Breeding, Veterinary Research, Human Resource Development, Livestock Planning and Economics, Veterinary Regulatory Affairs, Administration and Finance) of the department amounted to 789 and actual cadre position was 618 (*Project I: 158 Project II: 257 and Project III: 203*). Details of cadre positions are given in the *Annex XV*.

9.3. Approval from the Management Service

Approval has been granted by the Management Services Department during the year 2012 for 789 officers/staff which comprises of 49 different categories ((by DMS/G3/6/01 dated 2012.02.24, DMS/G3/6/1/T dated 2012.08.16 and DMS/G3/6 dated 2012.09.03)).

9.4. Appointments

Officers have been appointed to cover up the duties of following posts;

- Deputy Director (Technical Service)
- Director (HRD)

Following new appointments were made during the year 2012.

- Civil Engineer - 01
- Draftsman -01

9.5. Promotions

Promotions given during the year are as follows;

- Animal Production and Health Service class 1 - 4
- Animal Production and Health Service (Super numerary- class I)- 14
- Animal Production and Health Service- class II - I- 24
- Research Assistant (special) - 02
- Research Assistant class I & II - 05
- Primary service (Field assistant/Livestock assistant/Watcher) - 181

9.6. Transfers

Details of transfers made to and from the DAPH are stated below;

Transfer to DAPH - 27

Transfer from DAPH- 21

9.7. Retirements

Details of Staff members who have retired from the service in 2012 are as follows;

1. Veterinary Surgeons	-01
2. Livestock Officers	-01
3. Livestock Development Officers	-01
4. Technical Officers	-01
5. Management Assistants	-03
6. Drivers	-02
7. KKS	-01
8. Lab-sub assistants	-02
9. Watchman	-02
10. Labor	-07
11. Boiler Man	-01

9.8. Resignations

The number of resignations in the year 2012 as follows:

Livestock Development Officers	- 02
Livestock Research Officer	- 01

9.9. Vacation of Post

One field assistant has been vacated from the service in year 2012.

9.10. Releases from the DAPH on permanent basis

There were no releases from the DAPH on permanent basis during the year 2012.

9.11. Loans Approved

Type of loan	No.	Amount (Rs.)
Distress Loan	123	2,691,243.00
Property Loan	13	18,004,000.00
Bicycle Loan	7	42,000.00

9.12. Insurance Payments

During the year, 95 applications were approved for "Agrahara" insurance scheme.

9.13. Finance Progress

The capital and recurrent financial allocation and expenditure for the year 2012 are as follows:

	Allocations (Rs. Mn)	Expenditure (Rs. Mn)	Achievement %
Capital	3.53	3.358	95.1
Recurrent	10.05	3.175	31.5

10. FINANCE DIVISION

10.1. Introduction

The Departmental Head pertaining to the financial activities for the year 2012 was 292. The activities of the department were performed under two (02) Programs and three (03) projects. Financial allocations and the expenditure summary for the year 2012 are as in *Annex XVI*.

A sum of Rs.296 million for the recurrent expenditure and Rs.496 million for the capital expenditure was received by the Department for the year 2012, totaling Rs.793 million.

10.2. Allocations

a. Departmental Allocations

Head: 292

	Estimated allocation (Rs.)	Supplementary allocation received from the Treasury (Rs.)	Net allocation (Rs.)	Expenditure (Rs.)	Percentage of the expenditure
Recurrent (Rs.)	291,471,000	10,500,000	301,971,000	295,288,034	99
Capital (Rs.)	528,450,000	7,000,000	535,450,000	391,859,243	73
Total (Rs.)	819,921,000	17,500,000	837,421,000	687,147,277	82

Allocations received from other Ministries and Departments

Vote	Allocation (Rs.)	Expenditure (Rs.)	Percentage of the expenditure
253-1-2-1-1502	2,011,314	2,011,314	100

10.3. Public Servants' Advance Account "B"

	Limits of the Annual Estimates	Actual Value
Balance carried forward		81,626,009.31
Maximum debit limit	29,000,000 Debits affecting the limits	10,436,887.94
Minimum credit limit	15,000,000 Debits not affecting the Limits	4,327,859.84
Maximum limit of the debit balance	109,000,000 Credits affecting the limits	20,477,886.22
	Credits not affecting the Limits	3,792,789.00
	Balance brought down	72,120,081.87

10.4. General Deposit Account

The balance of the General deposit account of the Department as at 31.12.2012 was Rs.12,290,266.90/=

It was prepared as follows:

6000/0000/00/0015/0147/000 -12,290,266.90/=

10.5. Departmental Income

The income received by the Department for the year 2012 is given in *Table 10.1*:

Table 10.1: Departmental income -2012

Income Subject No.	Particulars of the Income	Total income Received (Rs.)
2002.01.01	Rent on government building and housing	4,576,774.97
2002.02.99	Other	3,201,069.62
2003.01.00	Departmental sales	84,210,726.09
2003.99.00	Other receipts	2,564,512.00
2004.01.00	Social security contribution	8,218,160.04
	Total	102,771,242.72

Rs.572,335,000 million was obtained from the Treasury for the activities of the department and Rs.104,977,207.74 million received as income, miscellaneous revenue and there was no balance.

11. FOREIGN FUNDED PROJECTS

There was one (01) foreign funded project in operation during the year 2012.

11.1. Project on small Scale Farming Improvement through Genetic and Feeding Management Improvement (GFMI) in Sri Lanka (Implemented by Animal Breeding Division - JICA funded)

Duration: April 2009 - March 2014 (05 years)

Target Areas:

- Progeny testing - It is implemented at *Dayagama* and *Andigama* Livestock farms of NLDB.
- Improvement of Artificial Insemination (AI). It is implemented at *Kundasale* and *Polonnaruwa* AI stations.
- Introduction of appropriate management and feeding demonstration farms. At the inception, it is operated in selected veterinary offices in *Kandy*, *Matale*, *Nuwara Eliya* and *Kurunegala* Districts.

Target Group:

- Relevant persons involved in dairy sector in state agencies and dairy farmers
- Training on artificial insemination, feeding and dairy cattle management, for relevant officials, technicians and dairy farmers in the target areas.

Project purpose

The techniques and institutional set-up for small scale dairy farming improvement are developed through

breeding, feeding and dairy management in the target areas.

Outputs

- Appropriate progeny testing methods are developed in Sri Lanka
- Appropriate AI techniques related to progeny testing are confirmed
- Feeding and dairy management of dairy farmers are improved



Figure 11.1: Field Training on progeny testing conducted under the GFMI Project

Achievements - 2012

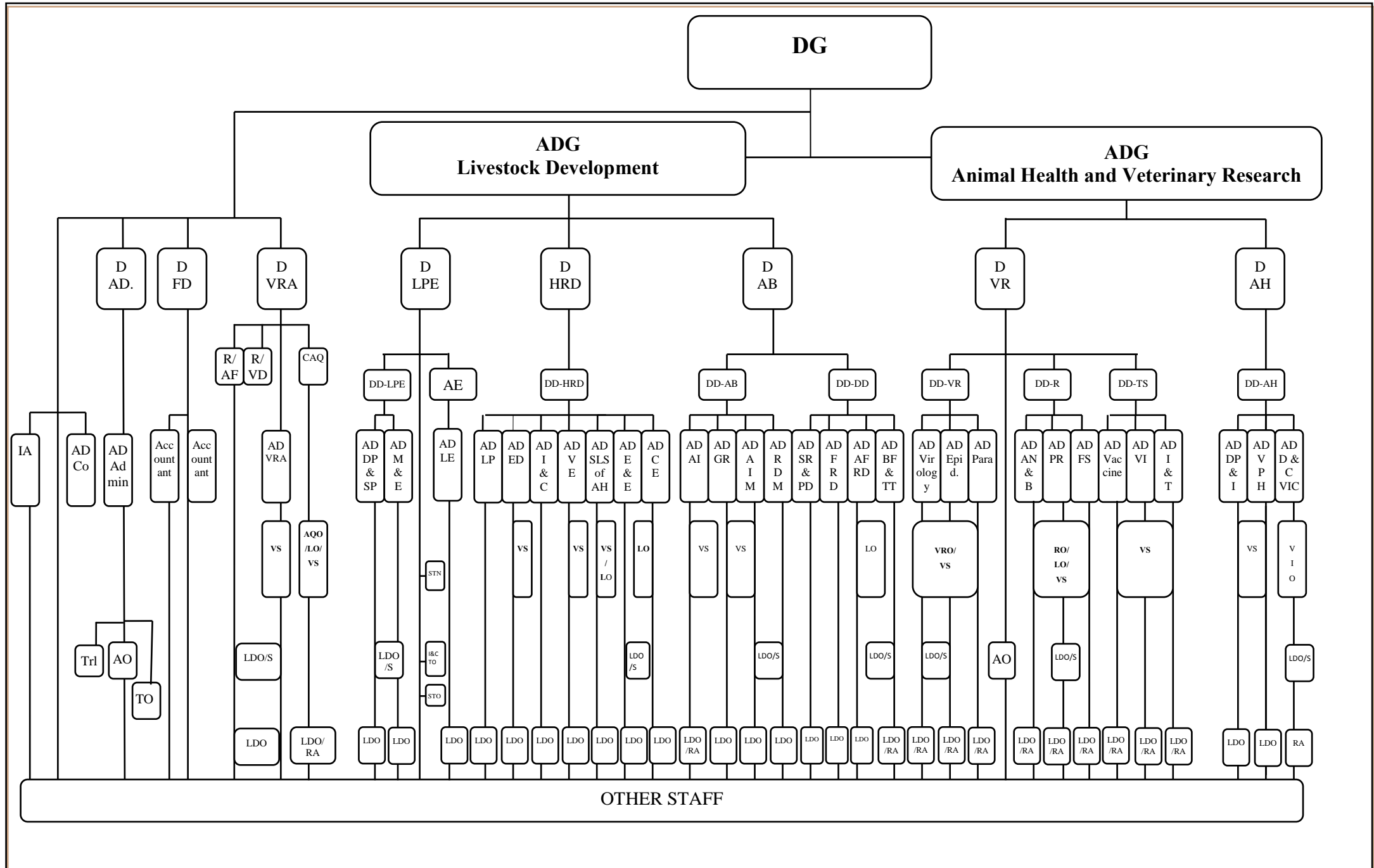
- Data collection on milking records of daughter cows born in the 1st round was started in July 2012 and being continued at *Andigama* farm for progeny testing.
- A bulk semen storage tank and two (02) units of liquid nitrogen tank for AI were installed at *Kundasale* AI station to strengthen semen distribution and facilitate progeny testing.

- Improvement to internal roads, construction of vehicle bath, distribution system of dung slurry, construction of biological pit and improvement to milk testing room were done at Kundasale AI station under the project.
- Ten (10) training programs were conducted for satellite farmers.

Annexures

- Annex I Organizational Structure of the DAPH
- Annex II Key Data on the Poultry Industry (2011- 2012)
- Annex III Activities Performed at Veterinary Investigation Centres - 2012
- Annex IV Research Publications - 2012
- Annex V Special Training Conducted at ICE - 2012
- Annex VI Names of Officers Attended to Overseas Training/Meetings Workshops/Visits - 2012
- Annex VII Details of Examinations Conducted in 2012
- Annex VIII Provincial Activities
- Annex IX Milk Collection by Main Milk Collecting Organizations - 2011-2012
- Annex X Quarantine Holdings and the Period of Quarantine - 2012
- Annex XI Details of Consignments subjected to Quarantine Surveillance in 2012
- Annex XII Details of Consignments Destroyed/ Detained in - 2012
- Annex XIII Export of Animals, Animal Products and Animal By-Products - 2012
- Annex XIV Raw Materials Usage for Compound Feed Production by Registered Animal Feed Manufactures - 2012
- Annex XV Present Cadre Positions of the Department
- Annex XVI Financial Allocation and the Expenditure Summary 2012

Organizational Structure - Department of Animal Production and Health



Abbreviations

DG	- Director General Dept of Animal Production and Health	DD-VR	- Deputy Director, Veterinary Research	AD-CE	- Assistant Director, Continuing Education
ADG	- Additional Director General	DD-R	- Deputy Director, Research	AD-AI	- Assistant Director, Artificial Insemination
D/AD	- Director, Administration	DD-TS	- Deputy Director, Technical Research	AD-GR	- Assistant Director, Genetic Resources
D/FD	- Director, Finance	DD-AH	- Deputy Director, Animal Health	AD-AIM	- Assistant Director, Artificial Insemination Monitoring
D/VRA	- Director, Veterinary Regulatory Affairs	IA	- Internal Auditor	AD-RDM	- Assistant Director, Reproductive Diseases Management
D/LPE	- Director, Livestock Planning and Economics	AD-Co	- Assistant Director, Coordinating Service	AD-SR & PD	- Assistant Director, Small Ruminants and Poultry Development
D/HRD	- Director, Human Resource Development	AD-Admin	- Assistant Director, Administration	AD-FRD	- Assistant Director, Farm Resources Development
D/AB	- Director, Animal Breeding	AD-VRA	- Assistant Director, Veterinary Regulatory Affairs	AD-VI	- Assistant Director, Veterinary Investigation
D/VR	- Director, Veterinary Research	AD-DPSP	- Assistant Director, Development Planning and Special Projects	AD-PR	- Assistant Director, Pasture Research
D/AH	- Director, Animal Health	AD-M&E	- Assistant Director, Monitoring and Evaluation	AD-AFRD	- Assistant Director, Animal Feed Resources Development
R/AF	- Registrar, Animal Feeds	AD-LE	- Assistant Director, Livestock Economics	AD-BF & TT	- Assistant Director, Base Farm and Technology Transfer
R/VD	- Registrar, Veterinary Drugs	AD-LP	- Assistant Director, Livestock Promotion	AD-Virology	- Assistant Director, Virology
CAQO	- Chief Animal Quarantine Officer	AD-ED	- Assistant Director, Enterprises Development	AD-Epid	- Assistant Director, Epidemiology
DD-LPE	- Deputy Director, Livestock Planning and Economics	AD-I&C	- Assistant Director, Information and Communication	AD-Para	- Assistant Director, Parasitology
AE	- Agriculture Economist	AD-VE	- Assistant Director, Veterinary Extension	AD-AN&B	- Assistant Director, Animal Nutrition and Breeding
D-HRD	- Deputy Director, Human Resource Development	AD-SLSAH	- Assistant Director, Sri Lanka School of Animal Husbandry	AD-FS	- Assistant Director, Farming Systems
DD-AB	- Deputy Director, Animal Breeding	AD-E&E	- Assistant Director, Examinations and Evaluations	AD-Vaccine	- Assistant Director, Vaccine
DD-DD	- Deputy Director, Dairy Development				

AD-VI	- Assistant Director, Veterinary Investigations
AD-IT	- Assistant Director, Information Technology
AD-DP&I	- Assistant Director, Disease Prevention and Information
AD-VPH	- Assistant Director, Veterinary Public Health
AD-D&CVIC	- Assistant Director, Diagnostics and Coordination of veterinary Investigation Centers
VS	- Veterinary Surgeon
AQO	- Animal Quarantine Officer
LO	- Livestock Officer
STO	- Statistical Officer
STN	- Statistician
I&CTO	-Information & Communication Technical Officer
VRO	- Veterinary Research Officer
RO	- Research Officer
VIO	- Veterinary Investigation Officer
AO	- Administrative Officer
TO	- Technical Officer

LDO/S	- Livestock Development Officer/Special
Trl	- Translator
LDO	- Livestock Development Officer
RA	- Research Assistant
<u>Other Staff</u>	
Associate Service Officers	
Management Assistants	
Primary Grade Staff	

Key Data on the Poultry Industry (2011 - 2012)

Activity	2011	2012	Growth (%)
1. Procurement of Grand Parent and Parent stock			
Grand Parent Stock (Broiler)	16,290	17,740	8.9
Parent Stock			
Broiler	1,030,839	1,064,602	3.28
Layer	112,201	72,448	-35.43
2. Production of Day - Old Chicks (million)			
Broiler	96.52	109.83	13.79
Layer	7.47	7.79	4.28
3. Production of Poultry Feed (MT)			
	594,253	661,338	11.29
4. Export of Poultry Products			
Day- Old Chicks	58,669	107,944	83.99
Chicken and Chicken Products (MT)	1,417.36	459.23	-67.60
Table Eggs	1,410,267	2,147,822	52.30
Hatching Eggs	–	397,590	–
5. Import of Poultry Products			
Day Old Commercial pullets	102,966	–	–
Hatching Eggs	476,640	–	–
Chicken and Chicken products (MT)	1,839.51	878.81	-52.23
Table Eggs	8,047,940	–	–
Egg Products (MT)			
Egg Powder	13.62	9.82	-27.90
Liquid Egg	–	74.80	–

Activities Performed at Veterinary Investigation Centres - 2012

Programme	Activity	Total
1 Disease Investigation in the field	1.1 Field Investigation	411
	1.2 Sample collection for testing	2677
	1.3 Investigation Reports	396
	1.4 Follow-up / further investigation	207
2 Laboratory Service for disease diagnosis	2.1 Post-mortem examinations	
	- Poultry	3684
	- Other Species	216
	2.2 Testing of samples	
	- Bacteriological	4470
	- ABST	1369
	- Parasitological - Blood	4138
	- Dung	1986
	- Skin	80
	2.3 Testing of milk samples	
	- CMT	4862
	- ABST	1200
	-Gurber test	346
	- Milk Analysis (SG/Fat/SNF/TS)	3939
	2.4 Laboratory reports	8031
2.5 Samples dispatch for further testing	1327	
3 Vaccine Production & Vaccination	3.1 CPD Vaccine (No. of farms)	163
	3.2 Wart Vaccine (No. of doses)	521
	3.3 Babesiosis Vaccine	1128
4 Supply of lab. Inputs to Veterinary Offices	4.1 Distilled water (Litre)	623.75
	4.2 CMT reagent (Litre)	181.1011
	4.3 Udder base (vials)	3887
	4.4 Teat dip solution (Litre)	1082
	4.5 Slides	1401
	4.6 Swabs	911
5 Dairy farm Health Improvement project	5.1 New farm registration	2207
	5.2 GIS Mapping	1402
	5.3 Farm Visits	2498
	5.4 No. of Dairy cows tested	9628
	5.5 Mastitis screening (CMT)	21224
	5.6 milk sample testing (ABST)	1057
	5.7 Animal tested for parasitism	7392
	5.8 Teat dip solution issued (L)	1998.8
	5.9 Animal tested for brucellosis/MRT	165

Activities Performed at Veterinary Investigation Centres - 2012

Programme	Activity	Total
6 Brucellosis control Programme	6.1 Field investigations	241
	6.2 Screening dairy herds (MRT)	754
	6.3 Animal screening in suspected herds (RBPT)	1450
	6.4 Vaccination of Animals	6129
7 Salmonella Control Programme	7.1 No of Breeder farm visits	104
	7.2 No of birds tested	26125
	7.3 No of birds culled	30
	7.4 No of Hatchery visits	113
	7.5 No of Hatchery samples tested	3016
8 Avian Influenza surveillance programme	8.1 No of serum samples	6499
	8.2 No of dropping samples at Hotspots	676
	8.3 No of cloacal swabs (Backyard)	826
	8.4 No of Training as resource personal	9
9 Animal Feed Analysis	9.1 Testing of Feed samples	3
	9.2 Samples dispatch for further testing	1
	9.3 Feed formulation (poultry)	14
10 Inspection of Export aquaculture farm	10.1 Aquaculture Farm visits	10
	10.2 Testing of samples	487
	10.3 Advisory service	64
11 Revenue (Rs.)		988896

Research Publications - 2012

- 1 Dvorak, C.M., S. Puvanandiran, and M.P. Murtaugh, 2012. Differential expression of host cell genes and their implications in PCV2 infection. American society for virology meeting. Oral presentation W30-3.
- 2 Epasinghe, T.M., Jayawardena, V.P., and Premalal, G.G.C. (2012) Composition of growth, yield and nutritive value of maizem multi cut fodder sorghum and hybrid Napier (Var. CO3) grown in wet zone of Sri Lanka. *Proceedings of 22nd Annual Students Research Session, Dept. of Animal Science, Faculty of Agriculture, University of Peradeniya, Sri Lanka. pp. 23-24.*
- 3 Jayaweera, M.D.N., Ubeyratne, J.K.H., Perera, G.I.S., Manchanayake, S.M.T.S. and Elvitigala, J. (2012). Bovine Tuberculosis: Investigation of cases with history of chronic respiratory distress. 64th Annual Convention of the Sri Lanka Veterinary Association.
- 4 Karunatilake, J.M.A.G.E.P., Jayawardena, V.P. and Premalal, G.G.C. (2012) In Vitro digestibility of hybrid sorghum, millet, hydroponically grown maize and influence of probiotic yeast culture in digestion of forages. *Proceedings of 22nd Annual Students Research Session, Dept. of Animal Science, Faculty of Agriculture, University of Peradeniya, Sri Lanka. pp. 29-30.*
- 5 Liyanagunawardena N., Fernando P. S., Priyantha M. A. R., Manchanayake S.M. T. S., Wijewardena G. and Samarakoon S.A.T.C (2013). Salmonella carrier status in Poultry Grand Parent (GP) Farms in Sri Lanka. Proceedings of the Young Scientists Forum Symposium 2012, of National Science and Technology Commission, held on January 18, 2013. Pp 28.
- 6 Liyanagunawardena N., Rajapaksha G. R., Wijemanna L. M. P., Bandara W. M. P., Wijewardena G., Fernando P. S., Priyantha M. A . R. and Gunawaradana G. A (2012). Isolation and identification of *Salmonella* serovars in poultry hatcheries and farms located in different provinces of Sri Lanka. Proceedings of the Young Scientists Forum Symposium 2011, of National Science and Technology Commission, held on January 27, 2012. Pp 15.
- 7 Madhuranga A.P., Palliyeguru M.W.C.D., Wickramasinghe W.M.C. and Gunaratne S.P. (2012) Pathological diagnosis of sub-clinical necrotic enteritis. *Final year project presentations, Faculty of Veterinary Medicine and Animal Science, University of Peradeniya Sri Lanka project report.*
- 8 Premalal, G.G.C. (2012) Hybrid Napier (CO3) fodder grass cultivation (2012) A leaflet/brochure in Sinhala and Tamil language. Department of Animal Production and Health Publication.

Research Publications – 2012

- 9 Premalal, G.G.C. (2012) Hay and Silage making (2012) A leaflet/brochure in Sinhala and Tamil language. Department of Animal Production and Health Publication.
- 10 Premalal, G.G.C. (2012) Fodder Grass Cultivation (2012) A leaflet/brochure in Sinhala and Tamil language. Department of Animal Production and Health Publication.
- 11 Premalal, G.G.C. (2012) Pasture for grazing (2012) A leaflet/brochure in Sinhala and Tamil language. Department of Animal Production and Health Publication.
- 12 Priyantha M. A. R., Fernando P.S., Liyanagunawardana N., Kumudini D.L.N., Puvanendiran S., Vipulasiri A.A., Abeyrathne P.M.K.C.B., and Thalagoda S.A (2013). Identification of latent carriers of Haemorrhagic Septicaemia from Slaughtered Cattle, Sri Lanka (2013). Proceedings of the Young Scientists Forum Symposium 2012, of National Science and Technology Commission, held on January 18, 2013. Pp 37.
- 13 Priyantha M.A.R., Liyanagunawardana N., Vipulasiri, A.A., Fernando P.S., Rathakrishnen S. and Gunawardana G.A (2012). Protective efficacy of HS vaccine in cattle. Wayamba journal of Animal science [www. wayambajournal.com](http://www.wayambajournal.com). No:1336111559.
- 14 Rajapakse, R.A.B.Y., Premalal, G.G.C., Jayawardena, V.P., Caffoor, M.Z. and Hettiarachchi, S. (2012) Evaluation of growth, yield and nutritional composition of multi-cut hybrid Sorghum/Millet varieties in Sri Lanka. *Proceedings of the 1st International Conference on Animal Nutrition and Environment (ANINUE 2012), Khonkaen, Thailand. pp. 389-392.*
- 15 Thadchanamoorthy, S., Jayardena, V.P. and Premalal, G.G.C. (2012) Evaluation of hydroponically grown maize as a feed source for rabbits. *Proceedings of 22nd Annual Students Research Session, Dept. of Animal Science, Faculty of Agriculture, University of Peradeniya, Sri Lanka. pp. 5-6.*
- 16 Sivakumara T., Kothalawala H., Abeyratne S.A E., Vimalakumar S.C., Meewewa A.S., Hadirampela D.T., Puvirajan T., Sukumar S., Kuleswarakumar K., Chandrasiri A.D.N., Igarashi I. and Yokoyama N., (2012) A PCR-based survey of selected *Babesia* and *Theileria* parasites in cattle in Sri Lanka. *Vet. Parasitol. (2012), [http:// dx .doi.org /10.1016/j.vetpar. 2012.05.014](http://dx.doi.org/10.1016/j.vetpar.2012.05.014).*

Research Publications – 2012

- 17 Ubeyratne, J.K.H., Jayaweera, M.D.N., Dangolla, A. and Wickramasinghe, S (2012). Molecular Approach Based Investigations On Black Quarter (BQ) Outbreaks In Provinces Of Sri Lanka During 2005-2010. *Journal of Commonwealth Veterinary Association*. July 2012, pp 17-20.
- 18 Ubeyratne, J.K.H., Jayaweera, M.D.N., Dangolla, A., Somaratne, M. and Kasagala, K.H.D.T (2012). Distribution Pattern Of Foot And Mouth Disease Outbreaks In Sri Lanka During 2005-2010. *Journal of Commonwealth Veterinary Association*. January 2012, pp. 5-10.
- 19 Ubeyratne, J.K.H. and Jayaweera, M.D.N. (2012). One step PCR method for rapid identification of *Clostridium chauvoei* from infected bovine muscle tissue samples. 64th Annual Convention of the Sri Lanka Veterinary Association.
- 20 Wickramasinghe W.M.C., Palliyeguru M.W.C.D., Madhuranga A.P. and Gunaratne S.P. (2012) Microbial diagnosis of sub-clinical necrotic enteritis. *Final year project presentations, Faculty of Veterinary Medicine and Animal Science, University of Peradeniya Sri Lanka* project report.
- 21 Wijesinghe, W.M.H.H., Bulumulla, P.B.A.I.K., Wijesundara W.M.N.M. and Weerasinghe, W.M.P.B. 2012. Effects of feeding pattern and feeding type on the occurrence of Aflatoxin M1 in milk of high producing dairy cows. Proceedings of the research symposium (vol II), Uva Wellassa University, Badulla.
- 22 Weerasinghe, W.M.P.B., Premalal, G.G.C., Priyankarage, N., Palliyeguru, M.W.C.D., Pathirana, A.P.D.G. and Navarathna, A.K.M. 2012. Formulation of dense total mixed ration (TMR) for ruminant feeding. *The Sri Lanka Veterinary Journal (Supplement)* 59: 30.
- 23 Weerasinghe, W.M.P.B., Wilkinson, R.G., Lock, A.L., de Veth, M.J., Bauman, D.E. and Sinclair, L.A. 2012. Effect of a supplement containing *trans*-10, *cis*-12 conjugated linoleic acid on the performance of dairy ewes fed 2 levels of metabolizable protein and at a restricted energy intake. *Journal of Dairy Science* 95: 109-116.
- 24 Weerasooriya, K.M.S.G., Abeynayake .P. and Kalupahana, R.S., (2012). Antimicrobial resistance of food borne *Salmonella*, isolated from a poultry processing plant. *Annual scientific sessions of the Sri Lanka Veterinary Association 11 May, 18*.

Special Training Conducted at ICE -2012

Name of the program	No of programs	Number of Participated
Milk collection , testing and transporting	06	83
New Animal Husbandry techniques in Cattle and Poultry Management	02	55
UMMB preparation	03	39
Database supported information and Communication course	18	83
Economic Importance of Diseases	07	130
Development of Managerial skills	01	66
Total	37	465

Names of Officers Attended Overseas Training /Meetings/ Workshops/ Visit -2012

Name of the officer	Course/ Programme	Country
Dr. B.H.M.D Herath.	Sustainable Native Cattle Breed Improvement system.	Japan
Dr.Ajith Gamini Liyanagamage	Regional Training Program on quality control of milk leering production, processing and marketing and introduce a novel technology for dairy production diversification	Haryana, India
Dr. W.K. de Silva	80 th humeral session of the world assembly of delegates of the OIE.	Paris
Dr. T.P Wijayathilaka	Study tour for sharing experience and learning on Rabies.	Bail, Indonesia
Dr.N.S.B Hegoda arachchi Mr.A.Bamunugama- Mrs. K.N.S.S Jyavardena	Short-term training on sexing of day old chicks	Bangalore, India
Dr.G.M.C.R Karunarathna	Livestock Development Delegation Visit to Netherlands.	Netherland
Dr.Wasatha Gamage	Master's degree program on rural society leadership development for global poverty reduction	Korea
Dr. (Ms). Kanchana Jayasundara	Regional Training on proficiency tusing for veterinary diagnostic laboratories in SAARC countries.	Muktuswar, India
Dr.(Ms) R. Hettiarachchi	Second global FAO-OIE conference on FMD	Bangkok-Thailand
Dr. A. Sivsothy	Regional Training seminar for OIE National Focal Point on Veterinary products	Bangkok, Thailand
Dr. M. D.N . Jayaweera	Regional Workshop: Laboratory proficient testing	Bangkok, Thailand
Dr. Chaminda Dissanayake Dr.(Ms) P. Bandara	Training Programme on tropical emerging and re- emerging diseases in animals: surveillance and diagnosis	Thailand
Dr. Chinthaka Prasanana Wicramasinghe	IAEA First coordination meeting for technical coordination meeting for technical coordination on supporting early warning response and control of trans bounding animals diseases.	Lanzhou, China
Dr W.A N. Wedisinghe	6 th FAO/OIE scam on GF-TADS FOR Asia and the pacific /3 rd meeting HPED SCI.	Bangkok, Thailand
Dr. K.D. Ariyapala	Assessment of diversity of veterinary services (public and private sector in the SAARC countries)	Pakistan.
Dr. (Ms) M.B.D Lakmali	Training course of artificial insemination on dairy cattle for developing countries	Indonesia
Dr. G.R. Rajapaksha	DAFF/NACA emergency Asia pacific regional consultation on EMS/AHPNS	Bankbook, Thailand.
Dr. W.K. de Silva	Purchasing of 21 horses for dept of police-Tec member inspection of cattle in quarantative under the importation of dairy animals project	Australia
Dr.Ajith Gamini Liyanagamage	Purchasing of 21 horses for department of police- join as Technical committee member for the inspection.	Australia

Names Of officers Attended Overseas Training /Meetings/ Workshops/ Visit -2012

Name of the officer	Course/ Programme	Country
Dr. D.R.T.G. Rathnayake	Regional policy forum on livestock meeting.	Bankbook Thailand.
Dr. R.P.M. Pathiratna Dr. B.V.P Perera	Towards a strategic approach to communication against highly pathogenic and emerging diseases including highly pathogenic avian influenza in the SAARC region.	Kathmandu, Nepal.
Dr. S.H.G. Wicramaratne	Invitation to the seventh session of the inter-governmental technical working group on animal genetic resources for food and agriculture.	Rome, Italy.
Dr. W.K. de Silva	Invitation to the sixth steering committee meeting of the FAO/OIE crisis management centre-animal health, FAO Headquarters.	FAO Headquarters, Rome
Dr. W.K. de Silva	Regional projector steering committee meeting 2012	Pakistan
Dr. A.M.U.W. Adikarinayake	5 th OIE regional meeting AHI networking.	Hanoi, Vietnam
Dr. S.J.M.R.R. Samarakoon	International workshop for SAARC countries of equine piroplasmiasis.	India.
Dr. M.A.M. Fazi	I.A.E.A project supporting early warning, response and control of trans boundary animal diseases.	Lanzhou, China
Dr.(Mrs) J.M.K.G.K. Jayasundara	Australian government scholarships endeavors awards-2012 (PhD).	Australian
Dr. T.P.Wijethilaka	AN7 international to the second Regional workshop on collaboration between Human and Animal Health sectors on Zoonoses prevention and control	Thailand
Dr. L. P. Mangalika	Meeting and workshop on laboratory networking and proficiency testing for priority HPEDs in SAARC Countries	Bangladesh
Dr. H . Kothalawala	Meeting and workshop on laboratory networking and proficiency testing for priority HPEDs in SAARC Countries	Bangladesh
Mrs . Priyanga Shyamali R. A. Alwis,	Refresher course-training program under (GFMI) project.	Kolhapur, India
Dr.W.W.Abeygunawardana	JICA counterpart training program under (GFMI).	Japan
Dr. Yapa Wasantha Kumara	Regional workshop for OIE national focal point on animal product food safety.	Tokyo, Japan
Dr. N.W.C.D Palliyaguru	Food testing training programme -I Residence on veterinary medicinal product.	France
Dr. K.D. Ariyapala	Regional program on project management to be held in India.	New Delhi, India
Dr. P.I.P. Perera	Regional seminar for OIE National Focal point on aquatic animals(2 nd cycle).	Bangkok, Thailand
Dr. L.W. B. Epakanda	Third OIE global conference on animal welfare.	Kuala Lumpur, Malaysia

Names of officers Attended Overseas Training /Meetings/ Workshops/ Visit -2012

Name of the officer	Course/ Programme	Country
Dr. T.A.C. Tiskumara,	Invitation to 2012 international seminar on livestock product safety for Asian countries.	QIA Headquarters Anyang city Korea,
Dr. (Ms) J.K.H Ubeyarathne Dr. (Ms) A. Prabakaran	FW: ORSO/RAS/901/EC- Regional Training in pests des petites ruminants (PPR) Laboratory Diagnostic techniques.	Saver, Dhaka, Bangladesh
Dr A. Sivasothi	SPS Asian workshop	Thailand
Dr. H.P.V.D.S. Bandara	permission to apply for the cause diploma in animals feed at PTC-Netherlands.	Netherlands
Dr. K.M.H.G. Sarath priyantha	International training program in appropriate technology and local knowledge in agricultural was recycling,	Thailand
Dr. S. Puvanendiran, Dr. (Ms) H.M.C.K. Herath	OSRO/RAS/901/EC: Regional training on vaccine matching for the in -use vaccine(s)of food and mounts disease.	Muktuswar, India
Dr. A.P.D.G Pathirana	Mycofoxin inspection for food safety 28 th January to 20 th April 2013,	Japan
Mr. R.M Chandrasena	International training program in sufficiency economy.	Thailand
Dr. L.W.N Samaranayake Dr. M.A.R Priyantha	Nominations for selection of cattle.	Australia
Dr. W.K de Silva	Knowledge day seminar on 27 th Nov 2012.	Hyderabad India
Dr.G.M.C.R. Karunarathna Dr.T.D.S.Sudurathna Dr. S.A.P.Subasinghe	Workshop on Highlypathgenic and emerging Diseases surveillance in the SAARC region	India
Dr. S.S.P. Silva	Invitation to the seventh session of the AD HOE Intergovernmental codex task force on animals feeding.	Bern, Switzerland.
Dr. A.D.N. Chandrasiri	Training and Inspection under the Importation of airy animal project	Australia
Dr. P.N.C. Fernando	Training programme on cross border infection prevention.	Bangkok, Thailand.
Dr. P. Bandara, Dr. N. Liyangunawardana Ms. C. Wimalarathna, Dr. T. Manchanayake	Regional field epidemiology training program for veterinary (FETPV) of SAARC countries .	Kathmandu, Nepal
Dr. W.K. de Silva	Third multi-stakeholder platform meeting.	Nairobi, Kenya
Dr.(Ms) T. Mayurathi, Dr. S. Chandrasekara,	Regional Training on differential diagnosis of avian influenza and Newcastle disease at SAARC Regional Leading.	Islamabad, Pakistan
Dr: L.D .Kithsiri Dr.(Ms) R. Hettiarachchi	Regional training workshop for (training of trainers of disease risk analysis.	Kathmandu, Nepal

Details of Examinations Conducted in 2012

	Name of the Examination	Number of Applicants
01.	First year repeat Examination Diploma in animal Husbandry	05
02.	All nine (09) provincial PSCS for Promotion Examination of LDI	coordinated
03.	First year Examination Diploma in Animal Husbandry	39
04.	Final year Examination Diploma in Animal Husbandry	34
05.	LDO's Promotion (i) Examination	09
06.	RA's Promotion (i) Examination	04
07.	English Language Examination	02
08.	Tamil Oral Examination - AP&H service	01
09.	Final year Repeat Examination Diploma in Animal Husbandry	05
10.	Recruitment Examination Uva Province	coordinated

Provincial Activities
Progress of Services/Activities of Provincial DAPH - 2012

Dispensary Cases	WP	CP	SP	NP	EP	NWP	NCP	UP	Sab p	Total
Cattle /Buffalo	8,219	4,190	9,803	9,485	8,682	14,580	7,055	3,873	4,325	70,212
Goat/Sheep	2,639	1,596	1,550	10,391	5,312	3,573	1,903	431	1,866	29,261
Pigs	1,406	247	336	61	690	1,891	512	45	527	5,715
Poultry	306,552	37,765	68,020	176,201	54,034	970,627	133,193	25,660	22,064	1,794,116
Pet Animals	7,716	6,184	4,022	13,784	484	2,300	2,264	1,551	2,885	41,190
Others	330	246	453	1,240	272	374	519	53	299	3,786
Sub Total	326,862	50,228	84,184	211,162	69,474	993,345	145,446	31,613	31,966	1,944,280
Field Cases	WP	CP	SP	NP	EP	NCP	NWP	UP	Sab p	Total
Cattle /Buffalo	7,560	7,775	6,830	5,118	9,850	5,826	15,498	5,657	4,706	68,820
Goat/Sheep	2,132	1,150	1,176	2,980	5,581	1,158	2,574	319	1,789	18,859
Pigs	1,811	194	223	70	692	327	1,693	887	422	6,319
Poultry	145,600	1,508	17,806	9,790	54,627	83,788	28,820	14,466	6,489	362,894
Pet Animals	43	68	-	-	8	2	4	-	279	404
Others	32	30	10	18	17	4	170	15	49	345
Sub Total	157,178	10,725	26,045	17,976	70,775	91,105	48,759	21,344	13,734	457,641
Issue Of Health Certificates	WP	CP	SP	NP	EP	NCP	NWP	UP	Sabp	Total
Cattle	580	1,349	302	1,436	3,649	1,039	1,758	656	210	10,979
Buffalo	144	18	138	78	390	82	91	2,706	75	3,722
Goats	144	406	37	833	652	65	275	144	91	2,647
Pigs	242	161	17	19	27	40	226	21	19	772
Others	8	2	10	48	16	1	24	1	-	110
Sub Total	1,118	1,936	504	2,414	4,734	1,227	2,374	3,528	395	18,230

Milk Collection by Main Milk Collecting Organization 2011 - 2012

Province	District	Milk Collection Lts.	
		2011	2012
Western	Colombo	1,258,584	1,996,318
	Gampaha	6,143,305	7,594,292
	Kalutara	2,610,909	1,840,419
	Total	10,012,797	11,431,029
Central	Kandy	12,680,977	17,484,520
	Matale	6,927,735	7,702,444
	Nuwara-Eliya	32,539,381	31,165,131
	Total	52,148,092	56,352,095
Southern	Galle	929,706	953,573
	Hambantota	858,323	875,786
	Matara	774,736	775,533
	Total	2,562,765	2,604,892
North Central	Anuradhapura	12,890,223	14,762,698
	Polonnaruwa	3,434,608	7,339,512
	Total	16,324,831	22,102,210
North Western	Kurunegala	20,975,028	29,100,044
	Puttlam	7,251,571	8,534,090
	Total	28,226,599	37,634,134
Northern	Jaffna	578,850	1,724,801
	Kilinochchi	487,843	785,198
	Mannar	1,247,461	966,394
	Mullaitivu	554,250	839,913
	Vauniya	1,431,765	1,151,829
	Total	4,300,169	5,468,135
Eastern	Ampara	5,146,505	7,496,953
	Batticaloa	6,118,370	8,216,053
	Trincomalee	1,447,803	2,282,278
	Total	12,712,678	17,995,284
Uva	Badulla	10,579,813	11,993,624
	Moneragala	2,799,631	13,947,764
	Total	13,379,444	25,941,388
Sabaragamuwa	Kegalle	891,498	992,276
	Ratnapura	1,291,286	1,396,655
	Total	2,182,784	2,388,931
Other ***		1,846,752	1,683,079
Island Total		143,696,912	183,601,176

*** area is not clearly mentioned

Collection details received from ;

- Ambewela Livestock Co.Ltd
- Cargills Quality Dairies
- Kaduwela Co-op
- Lucky Lanka Dairys
- Nestle Lanka Ltd.
- Pelwatte Dairies Ltd
- Richlife Dairies Ltd.
- Seven Hills Ltd.
- Ambewela Products
- Fontera Brands Lanka Pvt. Ltd
- Lanka Dairies (Pvt) Ltd
- Milco (Pvt)Ltd
- Polonnaruwa Milk Co-operative Society
- Pattipola Livestock
- Kothmale Swiss Cheese Company

Quarantine Holdings and the Period of Quarantine 2012

Station	Type of animals	Strain/breed	No. of animals	Country of origin	Period of Quarantine
AQO Katunayake	Pet bird		1	Kuwait	30 Days
AQS Colombo	Stud bull calves	Jersey	5	Australia	30 Days
AQS Colombo	Stud bull calves	Jersey	5	Australia	30 Days
On farm quarantine	Pet birds		3	UAE	30 Days
On farm quarantine	Pet birds		40	Netherland	30 Days
On farm quarantine	Zoo animals		03 Sea lion - 01 Kangaroo -02	Japan	30 Days
On farm quarantine	Pet birds		55	Thailand	30 Days
On farm quarantine	Breeder cattle	Frisian/Jersey/ Frisiax Jersey	498	Australia	30 Days 30 Days
AQS Colombo	Horses	Thoroughbred	6	India	30 Days
On farm quarantine	Pet birds		1	UK	30 Days
AQS Colombo	Horses	Thoroughbred	5	India	30 Days
On farm quarantine	Pet birds		104	Netherland	30 Days
On farm quarantine	Pet birds		1	Kuwait	30 Days
On farm quarantine	Pet birds- pigeon		10	Australia	30 Days
On farm quarantine	Pet birds- pigeon		20	UAE	30 Days
On farm quarantine	Pet birds- pigeon		14	UAE	30 Days
On farm quarantine	Pet birds		30	Dubai	30 Days
On farm quarantine	Pet birds		26	Thailand	30 Days
On farm quarantine	Pet birds- pigeon		16	Thailand	30 Days
On farm quarantine	Pet birds- pigeon		21	Thailand	30 Days

Quarantine Holdings and the Period of Quarantine 2012

Station	Type of animals	Strain/breed	No of animals	Country of origin	Period of Quarantine
On farm quarantine	Pet birds		6	Thailand	30 Days
On farm quarantine	Pet birds		30	Thailand	30 Days
On farm quarantine	Zoo animals		06 Hippo - 02, Dragon - 02, Wild horse-02	Czech Republic	30 Days
On farm quarantine	Rabbits		56	France	30 Days
On farm quarantine	Pet birds		10	Guinea	30 Days
On farm quarantine	Pet birds		1	Lebanan	30 Days
AQS Colombo	Pet birds-pigeon		20	USA	30 Days
AQS Colombo	Horses	Thoroughbred	5	India	30 Days
AQS Colombo	Horses	Thoroughbred	21	Netherland	30 Days
On farm quarantine	Pet birds-pigeon		140	Baharain	30 Days

Details of Consignments subjected to Quarantine Surveillance in 2012

Type of Animal/Animal-product/Animal By-product		No. of consignments arrived		Quantity arrived (No./MT)		No. of consignments inspected	
		2011	2012	2011	2012	2011	2012
1.	DOC - Grand Parents	06	06	29,834	33,377	06	06
	- Layer Parents	26	16	113,914	151,573	26	16
	- Broiler parents	58	51	564,131		58	51
	- Commercial layer	03		103,250	472,378	03	
			-		-		-
2.	Meat - Poultry	45	33	92.540	850.718	45	33
	- Beef	35	36	228.055	72.300	35	36
	- Mutton	19	22	92.789	218.250	19	22
	- Lamb	20		-	100.976	20	
	- Pork	-	27		0.250	-	27
	-Venison	-	01	-		-	01
	- Duck	11		38.467	0.040	11	
	- Turkey	04	01	44.332	19.910	04	01
	- Casings	08		6.217		08	
			03		20.170		03
		02				02	
		10		6.800		10	
3.	Table eggs	08	-	8,047,940	-	08	-
4.	Hatching eggs	06	-	476,640	-	06	-
5.	Meat and Bone Meal	132	145	14,632.125	27,584.390	132	145
6.	Ornamental fish	300(Marine-257 Fresh water-43)	253(Marine-227 Fresh water-26)	1 083,218	2,462,577	300(Marine -257 Fresh water - 43)	253(Marine-227 Fresh water-26)

Details of Consignments subjected to Quarantine Surveillance in 2012

Type of Animal/Animal- product/Animal By-product		No. of consignments arrived		Quantity arrived (No./MT)		No. of consignments inspected	
		2011	2012	2011	2012	2011	2012
7.	Cattle	-	03 (Pregnant heifers-01, Stud bull calves-02)	-	508 (Pregnant heifers-498, Stud bull calves-10)	-	03 (Pregnant heifers-01, Stud bull calves-02)
	Goats	01		44		01	
	Zoo animals	02		08		02	
	Horses	08		27		08	-
	Pet birds	07	-		-	07	
			02	570	09		02
			04		37		04
			21		554		21
8.	Dogs/Cats	282	252	560	341	282	252
9.	Fish meal	190	224	11,566.39	19,438.385	190	224
10.	Prawn feed	181	220	4392.292	5,302.538	181	220
11.	Tallow	36	18	2,777.651	1,065.996	36	18
12.	Gelatine	37	26	281.46	293.210	37	26
13.	Egg powder	09	06	10.220	6.020	09	06
14.	Egg Albumin	04	04	3.400	4.700	04	04
	Whole liquid egg	05	04	66.890	74.780	05	04
15.	Feather /Skins/Bristles - Other Products	83	81		62.236	83	81

Details of Consignments subjected to Quarantine Surveillance in 2012

Type of Animal/Animal- product/Animal By-product		No. of consignments arrived		Quantity arrived (No./MT)		No. of consignments inspected	
		2011	2012	2011	2012	2011	2012
16.	Frozen fish	414	308	10,858.354	9,717.947	414	308
17.	Fish Food	22	29	255.498	358.825	22	29
18.	Leather	98	141	401.163	343.139	98	141
19.	Feed Ingredients (Soya bean meal, Corn meal, Wheat ,Maize, Rape seed ,Guar meal)	747	614	236,085.299	171,724.395	747	614
20.	Chicken products (Chicken powder, Chicken essence, Chicken extract, Chicken soup)	40	44	24.093	68.000	40	44
21.	Pet food	40	34	691.972	806.735	40	34
23	Vaccines	04	-	65,414,684 (doses)		04	-
24	Veterinary drugs	05	02	1,346 (vials)	1.76	01	05
25	Semen	06	10	5,390(doses)	24,631	02	06

Note:

BSE clearance: Screened the applications and released 1154 consignments under BSE Clearance in year 2011.

1168 consignments released in year 2012.

Animal Feed Ingredients of Agricultural Origin: for HPAI Clearance - 747 no s in year 2011

-614 no s in year 2012

Fumigation: No. of by- products and feed ingredients fumigated before release in 2011 - 55

2012-43

Details of Consignments Detained / Destroyed in 2012

No	Type of Consignment	Country of origin	Reason for destruction/ detention	Quantity Kg/ No.	Action taken
1	Dog	Lithuvenia	No import permit and IVHC	01	Released after fulfilling requirements
2	Pet bird	Thailand	No import permit and IVHC	Parakeet - 04, Ducks - 03	Re exported
3	Dog	Russia	No import permit and IVHC	01	Released after fulfilling requirements
4	Meat (Chicken)	USA	No import permit and IVHC	09 kg	Destroyed
5	Dogs	Thailand	No import permit and IVHC	02	Released after fulfilling requirements
6	Peacock feathers	India	No import permit and IVHC	01 bundle	Destroyed
7	Chicken drumstick	Saudi Arabia	No import permit and IVHC	09 kg	Destroyed
8	Eggs	Not Available	No import permit and IVHC	36	Destroyed
9	Finished cow leather-lables	Germany	No import permit and IVHC	22,760 units	Fumigated and released after fulfilling requirements
10	Pork	Italy	No import permit and IVHC	08 kg	Destroyed
11	Eggs	China	No import permit and IVHC	20	Destroyed
12	Peacock feathers	India	No import permit and IVHC	15	Destroyed
13	Drums	India	No import permit and IVHC	08 kg	Destroyed
14	Vitamin E	China	No import permit and IVHC	880	Released after fulfilling requirements
15	Eggs	Not Available	No import permit and IVHC	22	Destroyed

*IVHC – international Veterinary Health Certificate

Annex XII Cont.

Details of Consignments Detained / Destroyed in 2012

No	Type of Consignment	Country of origin	Reason for destruction/ detention	Quantity Kg/ No.	Action taken
16	Finished leather	Singapore	No import permit and IVHC	102 kg	Released after fulfilling requirements
17	Artemea cysts	China	No import permit and IVHC	129 kg	Released after fulfilling requirements
18	Dried goat trachea parts	Quatar	No import permit and IVHC	0.2kg	Destroyed
19	Emu meat	Not available	No import permit and IVHC	307 kg	Destroyed
20	Pork cheese	Italy	No import permit and IVHC	30 kg	Destroyed
21	Meat (Chicken)	India	No import permit and IVHC	8 kg	Destroyed
22	Dogs	Thailand	No IVHC	03	Released after fulfilling requirements

*IVHC – international Veterinary Health Certificate

Export of Animals, Animal Products and Animal By-Products - 2012

Category		Number/ Quantity 2011	Number/ Quantity in 2012
	Item		
01	Ornamental fish	18,700,507	20,968,932
02	Dogs	114	136
03	Cats	47	73
04	Poultry	58,669	107,944
05	Pet birds	1,483	1,032
06	Zoo animals	09	01
07	Elephants	-	04
08	Rabbit/rat/hamster	Rabbits - 82 Guinea pigs -11	Rabbits - 01 Guinea pigs - 20
09	Animal products-meat and meat products	1,667.65 MT	1,771.33 MT
10	Table eggs	1,410,267	2,147,822
11	Fish and fish products	1.62 MT	2.11 MT
12	Animal by products- Artistic brushes/dog chews/elephant dung papers/hat/hat parts	3,023,595 pieces	3,592,966 pieces
	Bone grits/cattle bone and crushed/dry crab shells	245.49 MT	183.01 MT
13	Prawns/crabs/lobster	13.33 MT	1.85 MT
14	Leather	35.05 MT	31.12 MT

Row Materials Usage for compound Feed Production by Registered animal Feed Manufactures - 2012

Type of Raw Material	Raw Materials	Local	Imported	Total Usage
Cereals	1.Maize	90,698.21	1.80	90,700.01
	2.wheat	0	49,166	49,166.00
	3.Dhall Powder	82.99		82.99
	3.Others (Sorghum)	1,257.00	459.00	1,716.00
Cereal by Products	1.Rice Polish	46,035.70	2.20	46,037.90
	2.Rice Bran	1,673.74		1,673.74
	3.Wheat Bran	14,082.71		14,082.71
	4.Wheat Flour	164.00	1,128.00	1,292.00
	5.Broken Rice	7,868.00		7,868.00
	9.Wheat Midds	2,566.00		2,566.00
	10.Dhal Husk	1,900.00		1,900.00
Oil Meals	1.Coconut Meal/Poonac	10,716.96		10,716.96
	2.Soya Bean Meal	9,424.62	86,272.00	95,696.62
	3.Rape Seed Meal	0	271.00	271.00
	4.Other (Hypro soya & ful fat Soya)	1,908.00	297.00	2,205.00
Animal by products	1.Fish Meal	1,618.53	5,152.00	6,770.53
	2.Meat and Bone Meal	476.23	16,202.00	16,678.23
	3.Milk Powder	26.69		26.69
	4.Poultry Offal Meal	938.00		938.00
	5.Others	5.10	40.00	45.10
Mineral Supplement	1.Calcium Carbonate	176.00		176.00
	2.Salt	107.50		107.5
	1.Mineral mixture	14.58	15.30	29.88
	2.Vitamin Pre Mixtures	0	8.70	8.70
	1.Shell Grit /Lime Stone	7,483.04		7,483.04
	2.Di Calcium Phosphate	308.25	2,794.50	3,102.75
	3.Pre-Mixes	735.27		735.27
	4 Other (Pam Oil Meal)	1,303.00		1,303.00

**Row Materials Usage for compound Feed Production by Registered animal Feed
Manufactures - 2012**

Type of Raw Material	Raw Materials	Local	Imported	Total Usage
Additives	1.Vitamins	24.22	495.40	519.62
	2.Minerals & Trace Elements	95.72	504.69	600.41
	3.Bindings	32.24	110.20	142.44
	4.Growth promoters	23.58	105.13	128.715
	5.Anticoccidial agents	7.10	72.85	79.95
	6.Enzymes	44.623	9.05	53.6736
	7.L-Lysine	37.82	1,225.04	1,262.86
	8.Dl-Methionine	82.25	1,022.47	1,104.72
	10.L-Threonine	0	56.00	56.00
11. Urea	57.09		57.09	
Fat	1.Oil	0	1,414.00	1,414.00
	2.Others	342.00	780.20	1,122.20
	Mollasses	12.00		12.00

Present Cadre Positions of the Department and Staff Strength (as at 2012.12.31)

S. No.	Designation	Approved Cadre	Current		
			Project I	Project II	Project III
1	Director General	1	1		
2	Additional Director General	2	1		
3	Director (AP&HS)	6		1	1
4	Director (Administration)	1	1		
5	Director (Finance)	1	1		
6	Deputy Directors/ Assistant Directors	126	20	61	26
07	Deputy Directors/ Assistant Directors (Administration)	1	1		
08	Accountant	3	2		
09	Internal Auditor	1	1		
10	Administrative Officer	2	1	1	
11	Statistical Officer	1	1		
12	Translator	2	2		
13	Civil Engineer	1			
14	Technical Officer	1			
15	Information Communication Officer	1	0		
16	Draftsman	1			
17	Livestock Development Officer- Special	8	1	1	3
18	Livestock Development Officer- I/II/III	63	10	8	29
19	Librarian	3			1
20	Budget Assistant	2	2		
21	Development Officer	5	3	1	1
22	Development Assistant	32	17	8	7
23	Legal Assistant	2	2		
24	Program Assistant (Archives)	2	1		

Present Cadre Positions of the Department and Staff Strength (as at 2012.12.31)

S. No.	Designation	Approved Cadre	Current		
			Project I	Project II	Project III
25	Program Assistant (Public Relations)	2		1	1
26	Monitoring Assistant	6	2	2	2
27	Program Assistant	9	1	5	2
28	Program Assistant (Audio Visual)	2			2
29	Program Assistant (Communication)	2			2
30	Program Assistant (Media)	2		1	1
31	Development Officers	44			
32	Management Assistant	72	44	14	10
33	Research Assistant	65	2	51	2
34	Driver	66	14	29	19
35	Watcher	5			4
36	Watcher (alternative)				1
37	Laboratory Sub Assistant	27		9	
38	KKS	32	14	6	10
39	Livestock Assistant	20	1	3	5
40	Mechanic	2	1		1
41	Boiler Men	1			
42	Carpenter	3	2		1
43	Electrician	1	1		
44	Tractor Operator	3			2
45	Bungalow Keeper	1			
46	Garden Labourer	1			
47	Sanitary Labourer	3	0	1	2
48	Field Assistant	152	9	51	68
49	Field Assistant (Contract basis)			3	
Total		789	158	257	203

Source: Administration Division

Financial Allocations and the Expenditure Summary -2012

	Allocation (Rs. Mn.)	Expenditure (Rs. Mn.)	Expenditure as a % of Allocation
Project 1			
Capital Expenditure	83,850	77,429	92.34
Recurrent expenditure	296,142	295,288	99.71
Total	379,992	372,717	98.08
Project 11			
Capital Expenditure	133,790	73,590	55.00
Total	133,790	73,590	55.00
Project 111			
Capital Expenditure	279,250	240,841	86.25
Total	279,250	240,841	86.25
Total Capital Expenditure	496,890	391,860	78.86
Total Recurrent expenditure	296,142	295,288	99.71
Total Capital & Recurrent expenditure	793,032	687,148	86.48

Livestock Planning and Economics Division

Department of Animal Production and Health

Peradeniya

Sri Lanka

Tel/Fax: +94-81-2388186

E-mail: daphlpe@slt.net.lk

LPE/2013/03